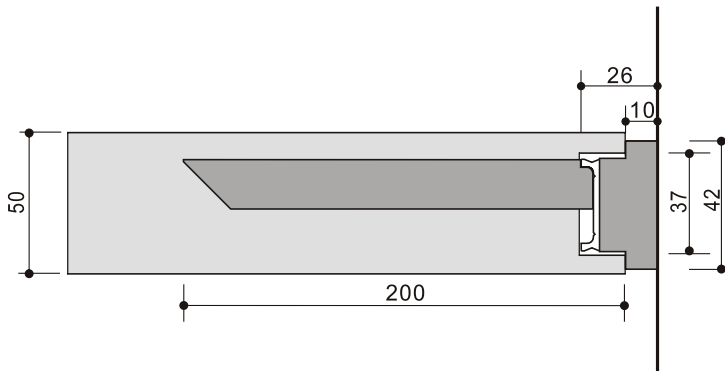




## Floating Shelf

- Recommended shelf thickness 50mm
- Recommended shelf depth 250-300mm
- Load 12kg/arm evenly distributed
- Arms max 550mm apart



## COMPONENTS

MOUNTING TRACK		
FSMT 8160.38.042	ANODISED ALUMINIUM	2.4M LENGTH
ARM BLOCK		
FSAB 8160.37.190	ZINC ALLOY NICKEL PLATED MATT BRUSHED SS FINISH	EACH
TRACK END CAP		
FSTEC 8160.43.001	ZINC ALLOY SATIN CHROME	PAIR

## Installation

