

# ENKO SLIMBOX - Instruction of Inner Panel

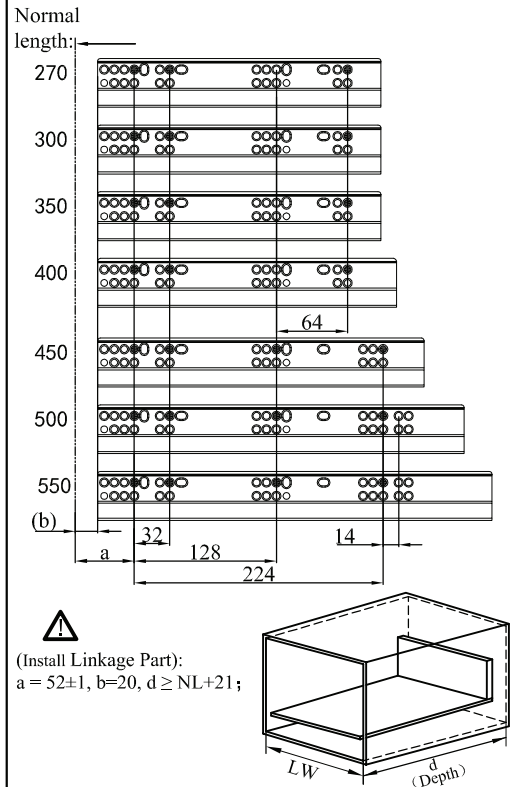
The characteristics of inner panel:

1. Be cut by your requirement, suitable for all nonstandard cabinets.
2. Suitable for the cabinets of open and sliding doors.

## Accessories:

<b>1</b> Cover (80) 	<b>2</b> Plastic base(80) 	<b>3</b> Cover (120) 	<b>4</b> Plastic base (120) 	<b>5</b> Cover(170) 	<b>6</b> Plastic base (170) 	<b>7</b> Panel components 	<b>8</b> Bars fixing brackets (optional) 
<b>9</b> Aluminum panel (Self-Cutting)  No pad: $L_a = (LW-127) \begin{smallmatrix} 0 \\ -1 \end{smallmatrix}$ With pad: $L_a = (LW-173) \begin{smallmatrix} 0 \\ -1 \end{smallmatrix}$		<b>10</b> Aluminum rod (Self-Cutting)  No pad: $L_b = (LW-83) \pm 0.5$ With pad: $L_b = (LW-129) \pm 0.5$		<b>11</b> ST4.0*20 self-taping screws  x4			
<b>13</b> Pad (optional accessories)  x2		<b>14</b> Linkage Part (optional accessories) 					
				<b>12</b> Plug pin  x4			

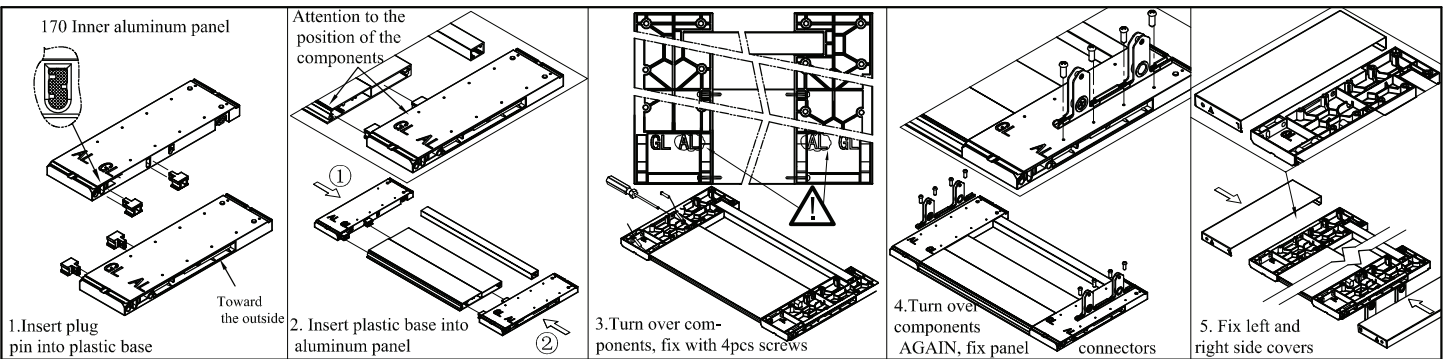
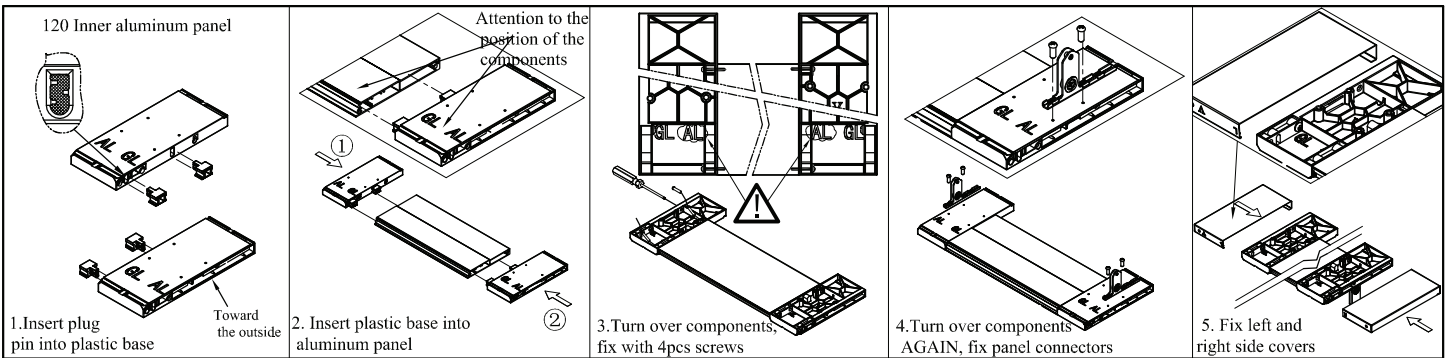
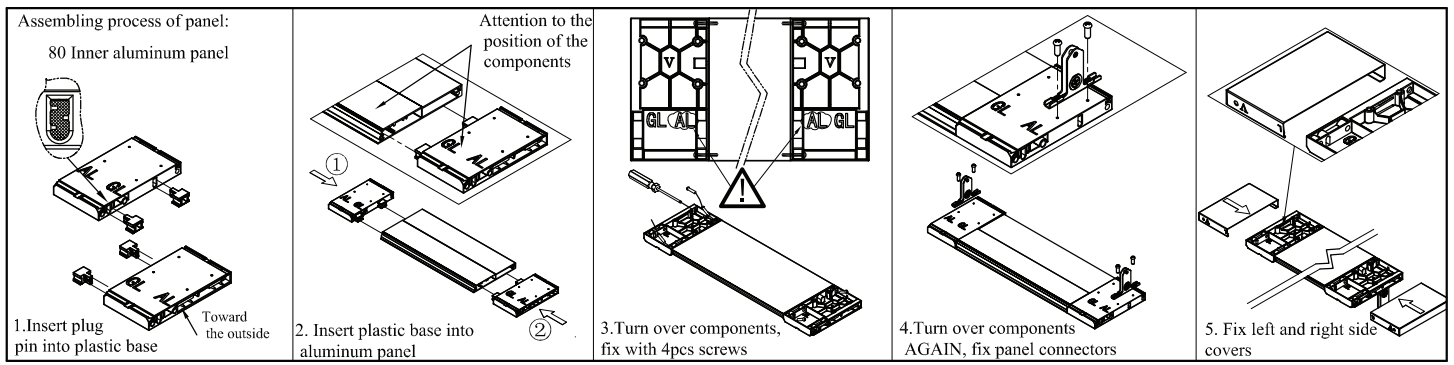
## Side panel front face of cabinet



(1) 80 Inner aluminum panel

(3) 120 Inner aluminum panel

(5) 170 Inner aluminum panel



**CONTACT US:**

PHONE: 0508 365 674

EMAIL: sales@enko.nz

ADDRESS: 14 Winger Crescent, Kamo, Whangarei 0112

WEBSITE: www.enko.nz

SCAN HERE FOR WEBPAGE LINK

