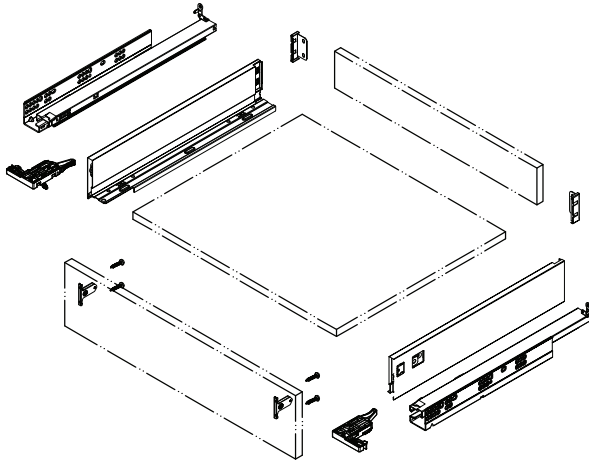




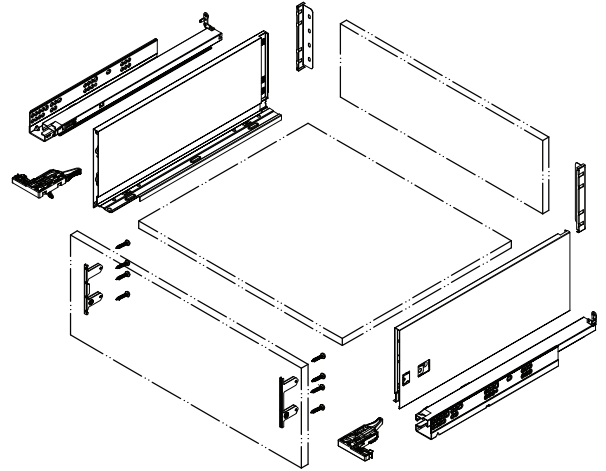
ENKO SLIMBOX Installation Instruction's

(Load capacity of 40kg, Thickness of bottom panel: 16mm)

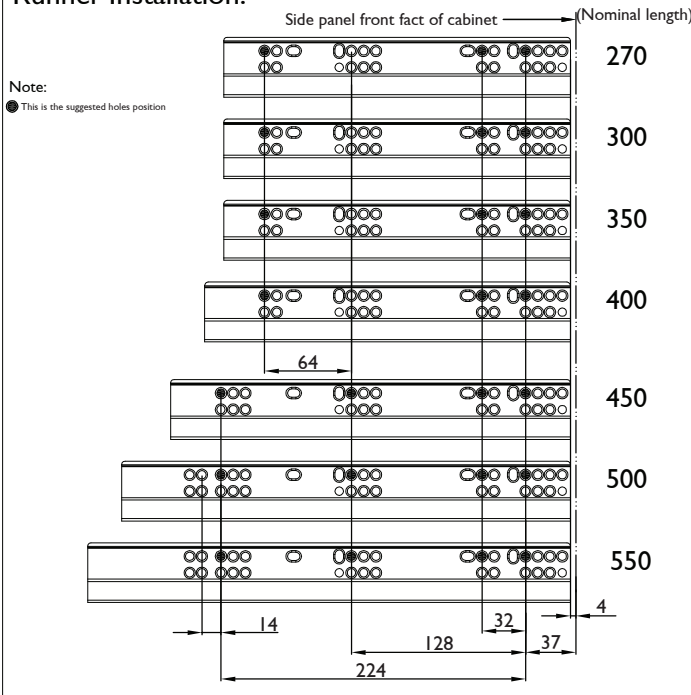
Standard Drawer Box Components:



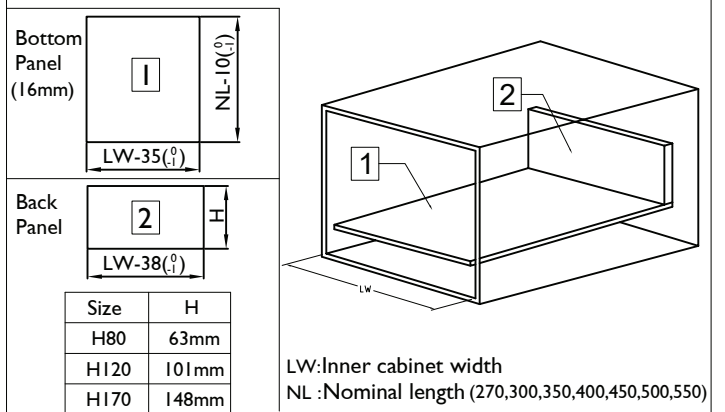
Higher Drawer Box Components:



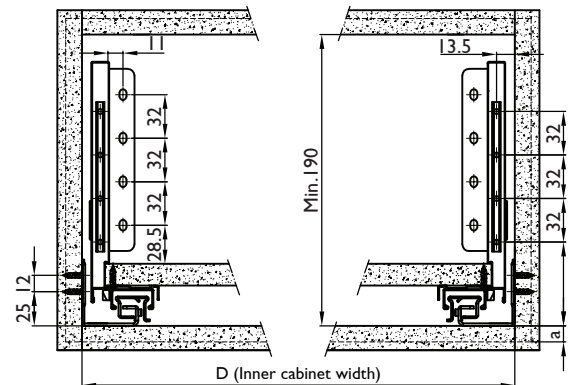
Runner Installation:



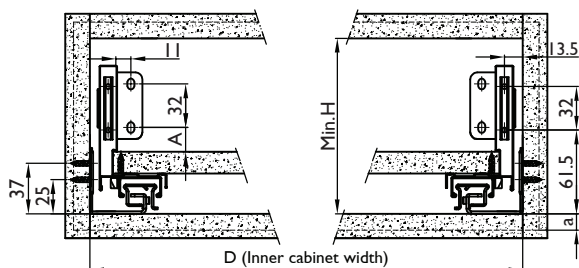
Base and Back Panel Cutting Dimensions:



Drawer Installation: (H180)

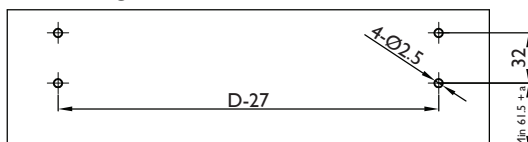


Drawer Installation: (H90/I30)

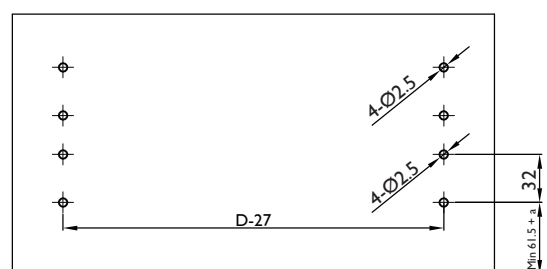


Size	Min.H	A
H80	115mm	18mm
H120	155mm	21mm

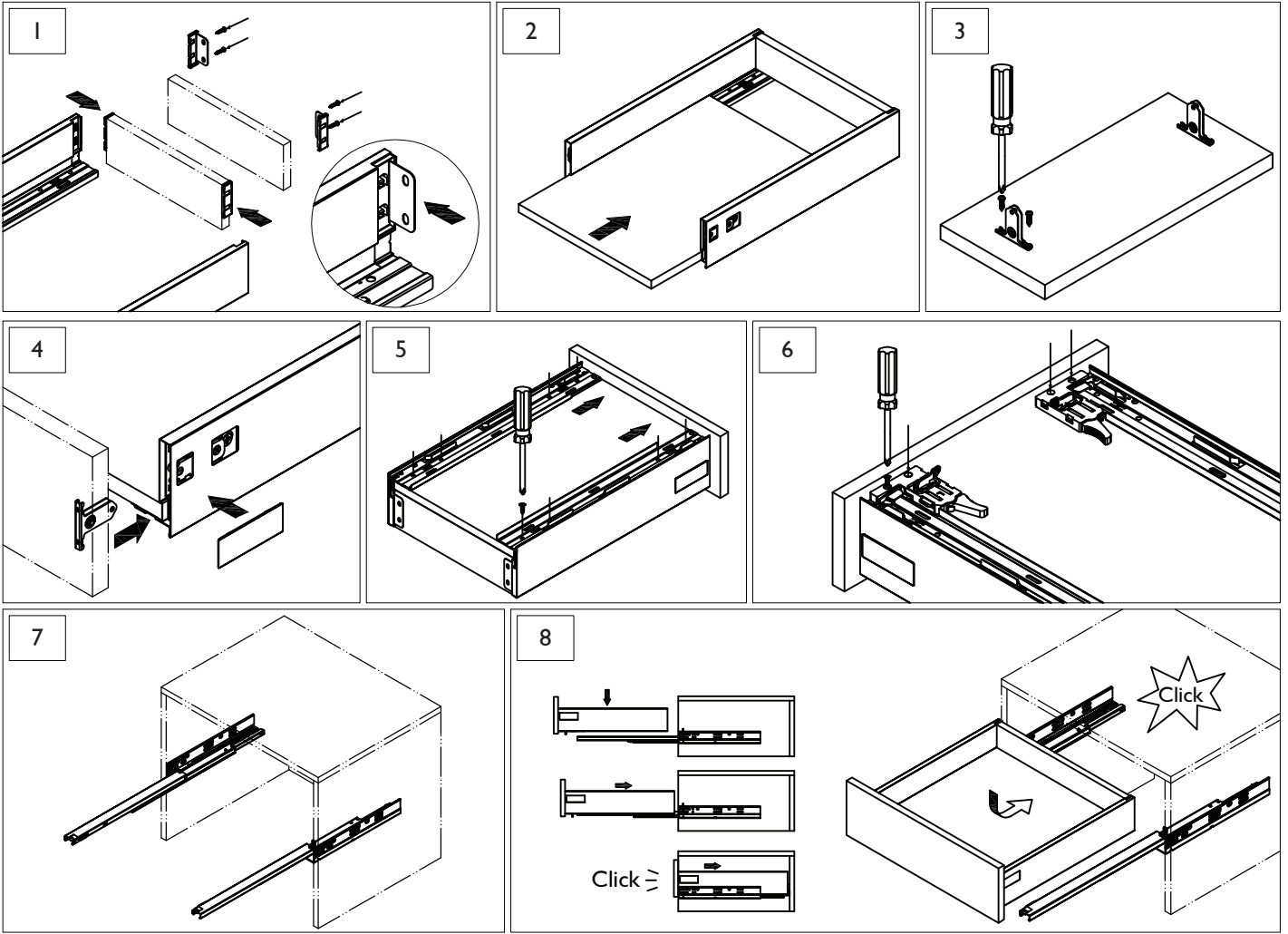
Front Panel Drilling:



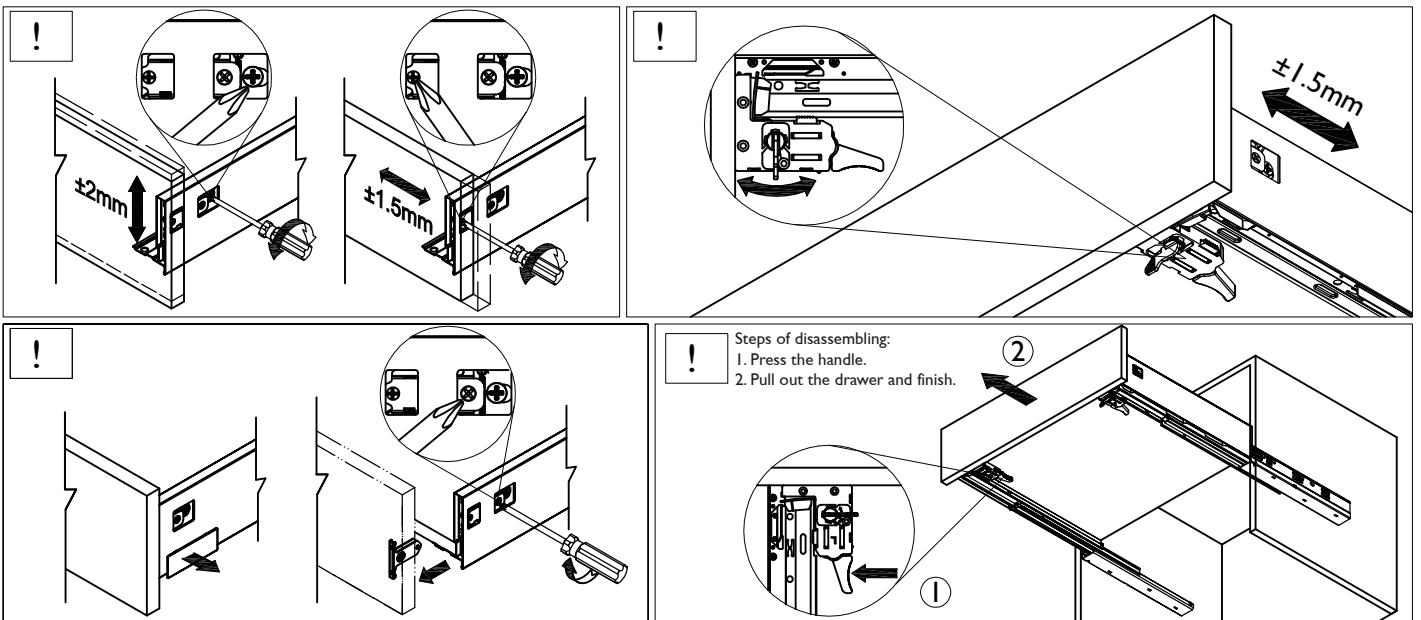
Front Panel Drilling:



Drawer Installation:



Drawer Adjustment & Removal:



CONTACT US:

PHONE: 0508 365 674

EMAIL: sales@enko.nz

ADDRESS: 14 Winger Crescent, Kamo, Whangarei 0112

WEBSITE: www.enko.nz

SCAN HERE FOR INSTALLATION VIDEO

