

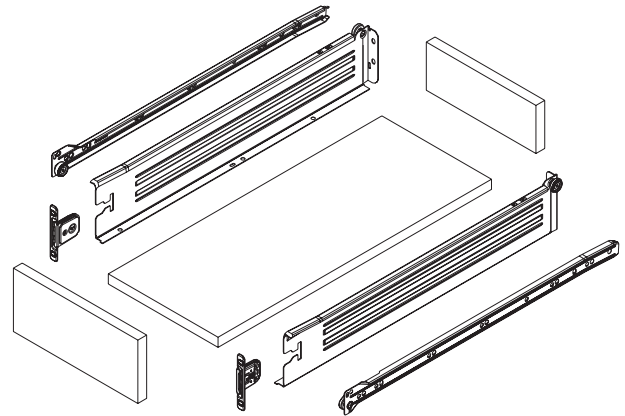
# STEEL SIDED DRAWERS



Item Code	Panel Height	Drawer Depth
F12E140A	86mm	350mm
F12E160A	86mm	400mm
F12E180A	86mm	450mm
F12E200A	86mm	500mm
F13G140A	118mm	350mm
F13G160A	118mm	400mm
F13G180A	118mm	450mm
F13G200A	118mm	500mm
F14K140A	150mm	350mm
F14K160A	150mm	400mm
F14K180A	150mm	450mm
F14K200A	150mm	500mm

## FEATURES

- Smooth & quiet operation
- Interchangeable front bracket (no left & right)
- Very cost effective
- 10 sets per box
- Load 30kg
- White
- Two way drawer front +/- 2mm adjustment
- 10mm dowel drawer front attachments



## SOFT CLOSE ADAPTORS

Item Code  
SCS-SSDA



Suits 350mm and above lengths.