

GOLLINUCCI SOUS CHEF

The Sous-Chef collection is the latest innovation from Gollinucci in Italy.

Designed by Andrea Federici, it has won multiple global awards, including the prestigious GERMAN DESIGN AWARD 2021 where the range received a special mention in the Excellent Kitchen Product Design category. In addition, the range has won both the IF DESIGN AWARD and the INTERZUM AWARD 2019.

The Sous-Chef's core design concept is "Bring the Flavour"!

Equipped with removable plastic trays (Dishwasher Safe) that can be positioned on the kitchen top or onto the Sous-Chef kitchen rail system, Sous-Chef allows you to have all the ingredients and spices readily at hand for daily use. Having these close to hand creates greater efficiency and organisation throughout the cooking process.

At the end of use, the trays are repositioned in the cabinet by hooking them to the central structure.

Designed to intelligently respond to the need to organise even small spaces in the best possible way - thanks to the various models in the range, the Sous-chef can fit cabinets with widths from 150 to 600mm. Sous-Chef is also available with a practical walnut finish knife holder as an option and has models suitable for both hinged doors and most common drawer brands.



SOUS CHEF TRAY PLUS NEW

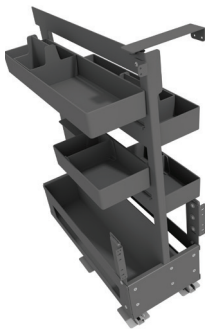
FEATURES

- Fixing to the bottom of the cabinet or to the door
- Full extension guides
- Soft closing
- Metal structure - Orion Grey Finish
- Removable plastic trays - Dishwasher Safe
- Top roller guide

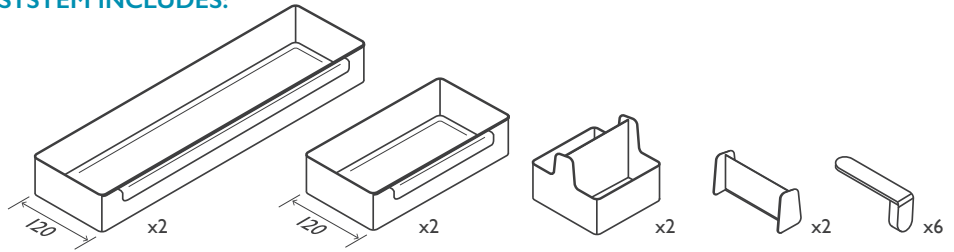


SOUS CHEF TRAY PLUS

Item Code	Width	Depth	Height	Minimum Cabinet Width
GSC-TRAYPOG	255mm	520mm	654mm	300mm



SYSTEM INCLUDES:



SOUS CHEF ONE NEW

FEATURES

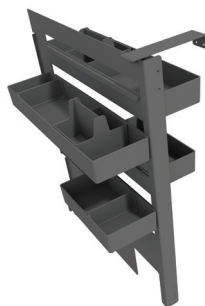
- Fixing to the bottom of the drawer
- Suits most 500mm deep drawer
- Keeps all drawer mechanisms in the kitchen the same
- Metal Structure - Orion Grey Finish
- Removeable plastic trays (dishwasher safe)
- Top roller guide



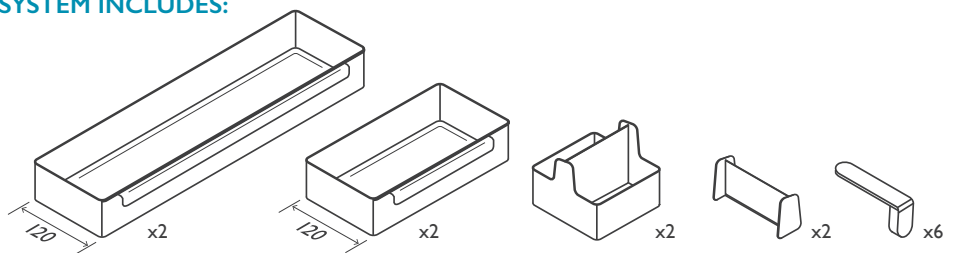
SOUS CHEF ONE

Item Code	Width	Depth	Height	Minimum Cabinet Width
GSC-ONEOG	255mm	516mm	641mm	300mm

(Our recommendation for this model to be partnered with the Enko 180mm high, 500mm deep Slimbox Drawer - Item Code DSLIM500ANTH180)



SYSTEM INCLUDES:



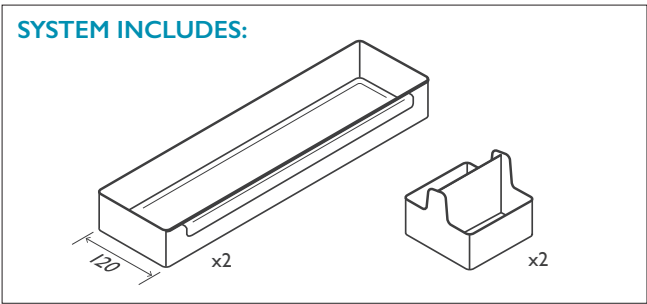
SOUS CHEF SMART

NEW

- FEATURES**
- Fixing to the side of cabinet
 - Full extension guides
 - Soft closing
 - Metal Structure - Orion Grey Finish
 - Removeable plastic trays - Dishwasher Safe
 - Manual Extraction
 - Load capacity of 15kg



SOUS CHEF SMART				
Item Code	Width	Depth	Height	Minimum Cabinet Width
GSC-SMARTOG	138mm	506mm	334mm	200mm



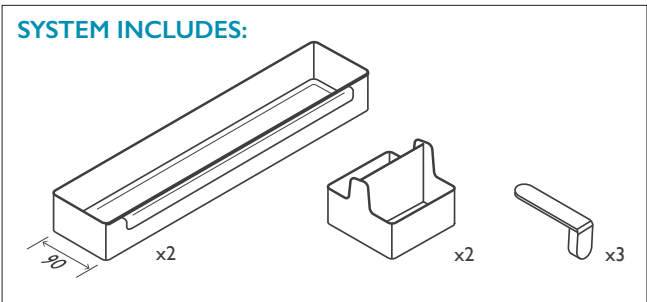
SOUS CHEF SLIM

NEW

- FEATURES**
- Fixing to the side of the cabinet or to the door
 - Full extension guides
 - Soft closing
 - Metal structure - Orion Grey Finish
 - Removable plastic trays - Dishwasher Safe
 - Load capacity of 15kg



SOUS CHEF SLIM				
Item Code	Width	Depth	Height	Minimum Cabinet Width
GSC-SLIMOG	108mm	506mm	680mm	150mm

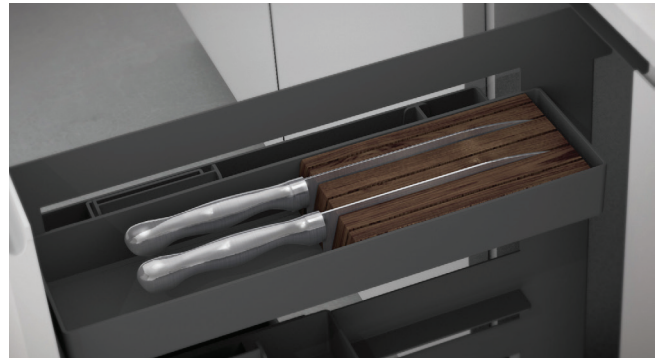


FEATURES

- Machined Wood
- Walnut Finish
- Compatible with: Sous-Chef One, Sous-Chef Tray Plus & Sous-Chef Smart



GSC-WKNIFEB



SOUS CHEF KITCHEN RAIL SYSTEM

The Sous-Chef Kitchen Rail system is designed to accessorise walls near the working area in the kitchen and to clear the worktop.

It is composed of a bar in painted aluminium equipped with practical multipurpose hooks.

The trays included in all Sous-Chef collection products can be hooked on the bar to organise and personalise the kitchen spaces.

Some options are available: additional trays with an extractable spice tray and a paper towel holder, that can be unhooked and used on the top thanks to its vertical support.

The smart and minimalist shape of both the main aluminium component and the metal hooks suit every kitchen type.

RAIL SYSTEM BASE 60 INCLUDES:

- 1 x Painted Aluminium Bar
- 2 x Painted Aluminium Hooks
- 2 x Hidden Metal Supports for fixation
- Total width 600mm

RAIL SYSTEM BASE 90 INCLUDES:

- 1 x Painted Aluminium Bar
- 3 x Painted Aluminium Hooks
- 2 x Hidden Metal Supports for fixation
- Total width 900mm



Item Code	Item	Height	Depth	Width	Finish
GSCR-60BK	600mm Rail System	15mm	305mm	403-440mm	Black
GSCR-90BK	900mm Rail System	15mm	305mm	353-390mm	Black
GSCR-PHBK	Paper Towel Holder	10mm	183mm	495-615mm	Black
GSCR-BSTOG	Box & Spice Tray	16mm	161mm	394-451mm	Orion Grey

