

CAP-INSTALL

NO. I25A

Supplied in 3m Lengths

FINISH

AA-Anodised Aluminium
RAW-Raw Milled

STYLE

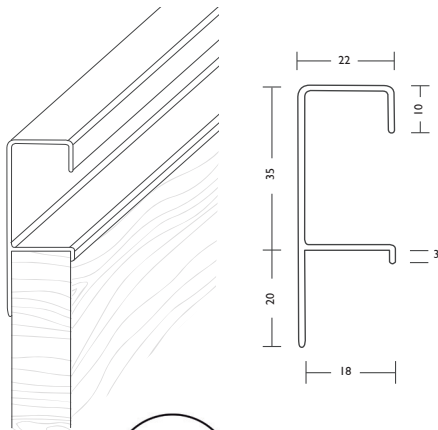
C Pull Profile

CODE

I25A.Finish

MATERIAL

Aluminium



A | AUSTRAL
Collection

Rear Fixing

NO. I25B

Supplied in 3m Lengths

FINISH

AA-Anodised Aluminium
RAW-Raw Milled

STYLE

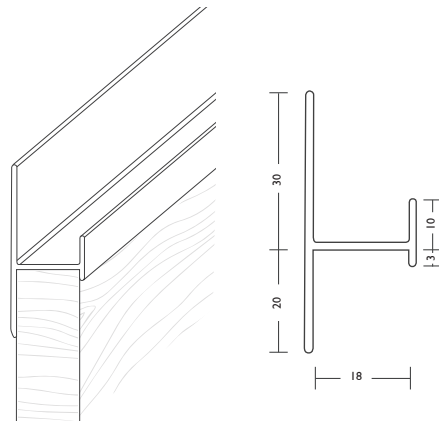
L Pull Profile

CODE

I25B.Finish

MATERIAL

Aluminium



A | AUSTRAL
Collection

Rear Fixing

NO. I25C

Supplied in 3m Lengths

FINISH

AA-Anodised Aluminium
RAW-Raw Milled

STYLE

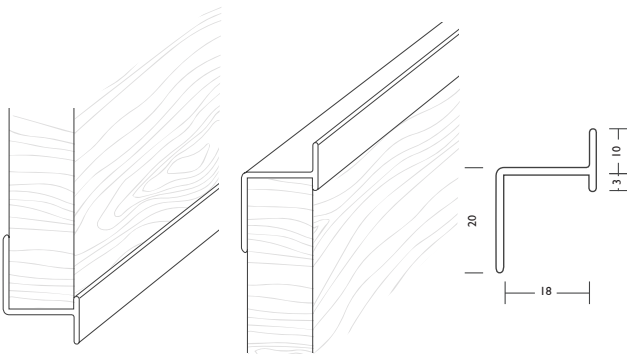
Overhead Pull Profile

CODE

I25C.Finish

MATERIAL

Aluminium



A | AUSTRAL
Collection

Rear Fixing

NO. I25D

Supplied in 3m Lengths

FINISH

AA-Anodised Aluminium
RAW-Raw Milled

STYLE

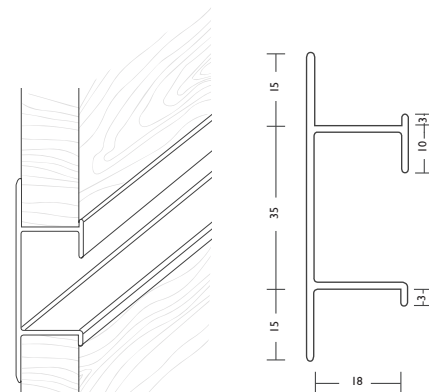
C Pull Profile for Split
Panels

CODE

I25D.Finish

MATERIAL

Aluminium



A | AUSTRAL
Collection

Rear Fixing