

GROOVE-INSTALL

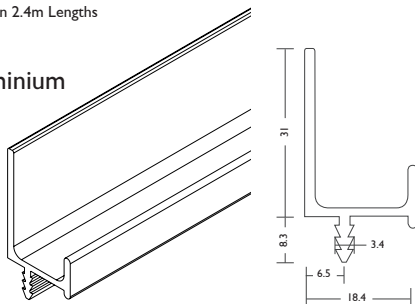
NO. 109A

L Shaped Extrusion - Supplied in 2.4m Lengths

FINISH
AA-Anodised Aluminium

CODE
109A.Finish

MATERIAL
Aluminium



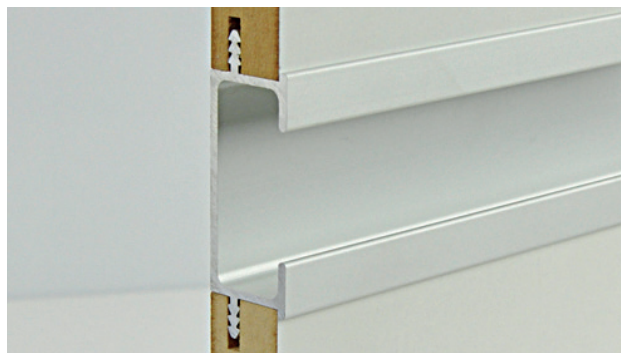
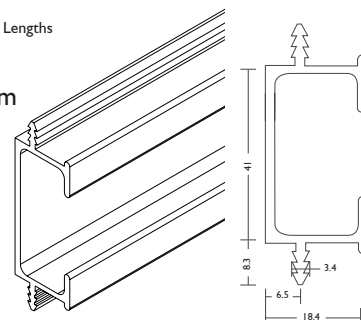
NO. 109B

C Shaped Extrusion - Supplied in 2.4m Lengths

FINISH
AA-Anodised Aluminium

CODE
131B.Finish

MATERIAL
Aluminium



A | AUSTRAL
Collection

A | AUSTRAL
Collection

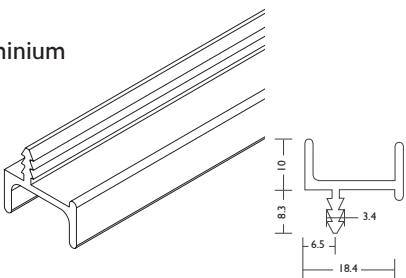
NO. 109C

U Shaped Extrusion - Supplied in 2.4m Lengths

FINISH
AA-Anodised Aluminium

CODE
109C.Finish

MATERIAL
Aluminium



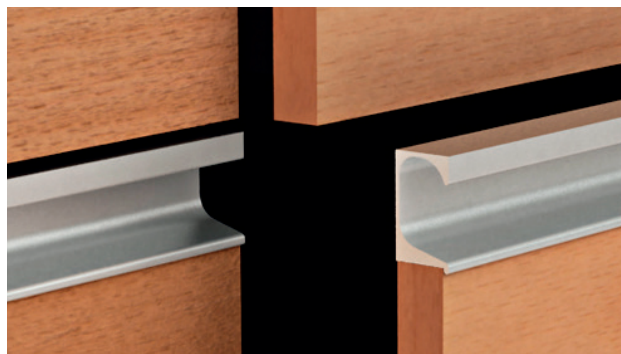
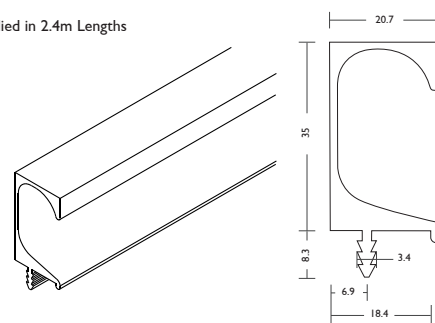
NO. 127

U Shaped Extrusion - Supplied in 2.4m Lengths

FINISH
AA-Anodised Aluminium

CODE
127.Finish

MATERIAL
Aluminium



A | AUSTRAL
Collection

A | AUSTRAL
Collection

GROOVE-INSTALL

NO. 131A

U Shaped Extrusion - Supplied in 2.4m Lengths

FINISH

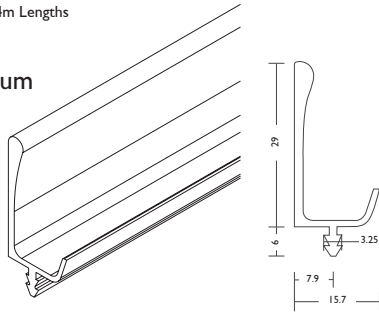
AA-Anodised Aluminium

CODE

131A.Finish

MATERIAL

Aluminium



NO. 131B

C Shaped Extrusion - Supplied in 2.4m Lengths

FINISH

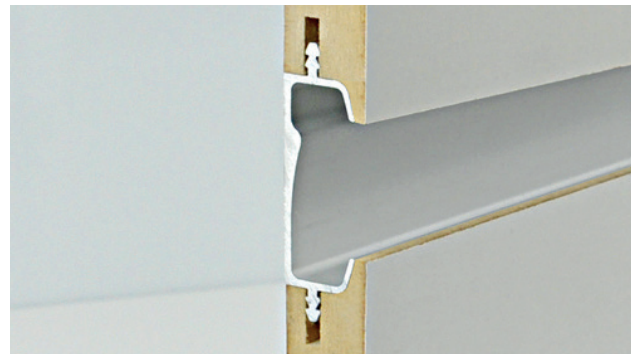
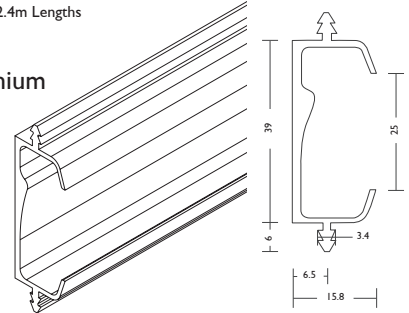
AA-Anodised Aluminium

CODE

131B.Finish

MATERIAL

Aluminium



A | AUSTRAL
Collection

A | AUSTRAL
Collection

NO. 131C

U Shaped Extrusion - Supplied in 2.4m Lengths

FINISH

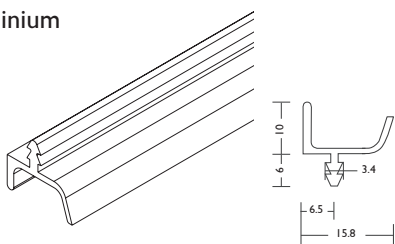
AA-Anodised Aluminium

CODE

131C.Finish

MATERIAL

Aluminium



ROUTER BITS FOR INSTALLING ENKO'S ALUMINIUM PROFILES



ROUTERBIT.3.2
For installing No.109
or No.127 Profiles



ROUTERBIT.131/1
For installing No.131
Profile - Groove



ROUTERBIT.131/2
For installing No.131
Profile - Scallop

A | AUSTRAL
Collection