

## GROOVE-INSTALL

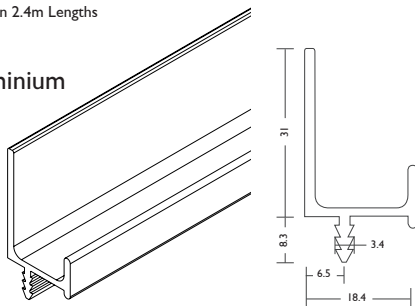
### NO. 109A

L Shaped Extrusion - Supplied in 2.4m Lengths

**FINISH**  
AA-Anodised Aluminium

**CODE**  
109A.Finish

**MATERIAL**  
Aluminium



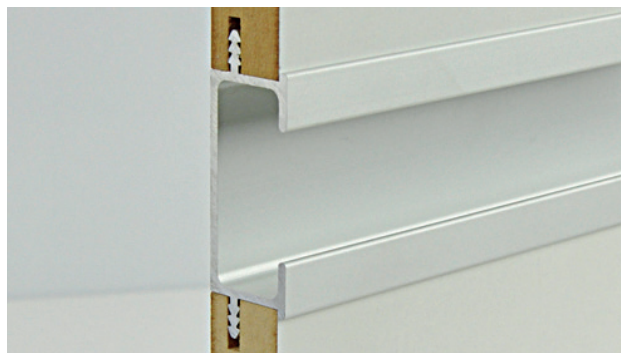
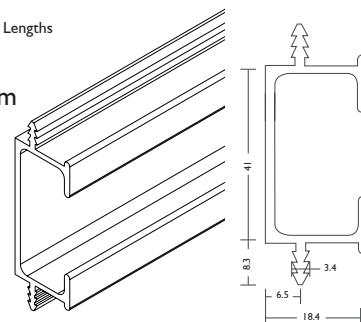
### NO. 109B

C Shaped Extrusion - Supplied in 2.4m Lengths

**FINISH**  
AA-Anodised Aluminium

**CODE**  
131B.Finish

**MATERIAL**  
Aluminium



A | AUSTRAL  
Collection

A | AUSTRAL  
Collection

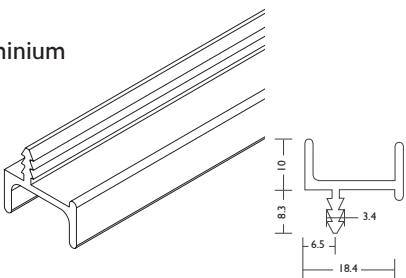
### NO. 109C

U Shaped Extrusion - Supplied in 2.4m Lengths

**FINISH**  
AA-Anodised Aluminium

**CODE**  
109C.Finish

**MATERIAL**  
Aluminium



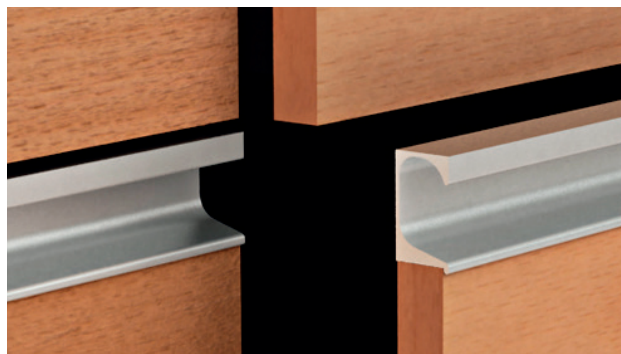
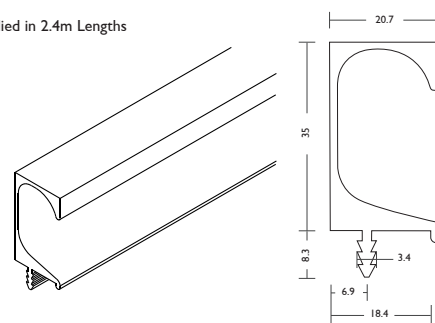
### NO. 127

U Shaped Extrusion - Supplied in 2.4m Lengths

**FINISH**  
AA-Anodised  
Aluminium

**CODE**  
127.Finish

**MATERIAL**  
Aluminium



A | AUSTRAL  
Collection

A | AUSTRAL  
Collection

## GROOVE-INSTALL

### NO. 131A

U Shaped Extrusion - Supplied in 2.4m Lengths

**FINISH**

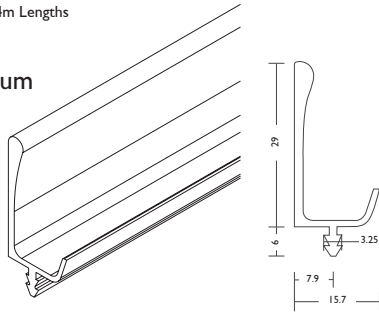
AA-Anodised Aluminium

**CODE**

131A.Finish

**MATERIAL**

Aluminium



A | AUSTRAL  
Collection

### NO. 131B

C Shaped Extrusion - Supplied in 2.4m Lengths

**FINISH**

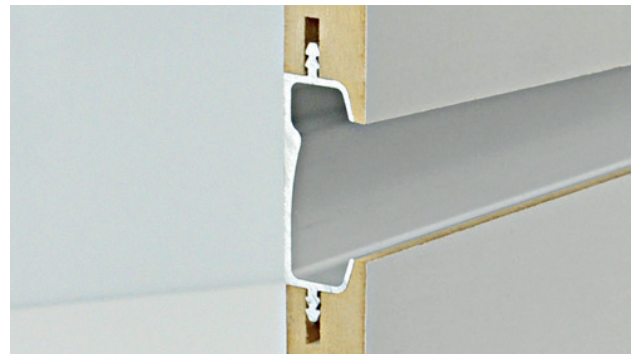
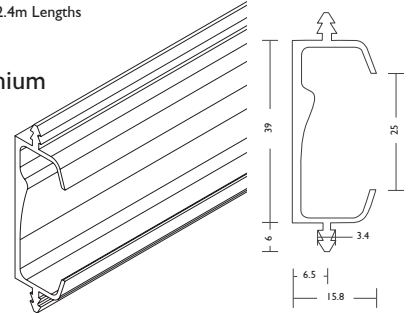
AA-Anodised Aluminium

**CODE**

131B.Finish

**MATERIAL**

Aluminium



A | AUSTRAL  
Collection

### NO. 131C

U Shaped Extrusion - Supplied in 2.4m Lengths

**FINISH**

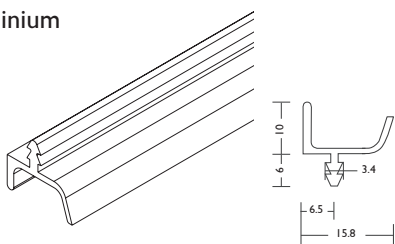
AA-Anodised Aluminium

**CODE**

131C.Finish

**MATERIAL**

Aluminium



A | AUSTRAL  
Collection

## ROUTER BITS FOR INSTALLING ENKO'S ALUMINIUM PROFILES



**ROUTERBIT.3.2**  
For installing No.109  
or No.127 Profiles



**ROUTERBIT.131/1**  
For installing No.131  
Profile - Groove



**ROUTERBIT.131/2**  
For installing No.131  
Profile - Scallop