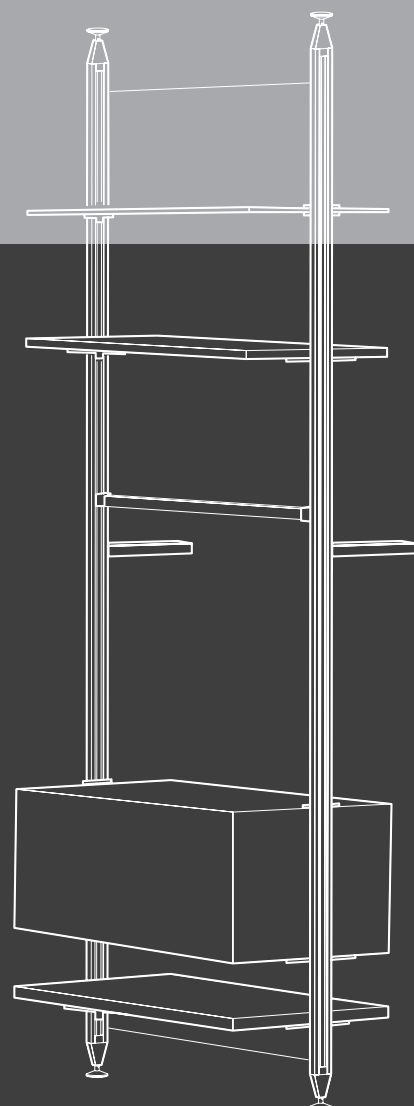


# ENKO stilīphōs MODULAR SHELVING SYSTEMS

BY  VOLPATO®







## Introducing the StiliPHOS Modular Shelving System by Volpato

A system that allows you to create and organise storage spaces throughout your home or workspaces, from libraries, dividing walls to walk-in closets. Crafted with flexible and versatile materials, it guarantees a level of customization that is both aesthetically pleasing and adaptable to any space requirement. Designed with a minimalistic approach, the StiliPHOS Modular Shelving System is easy to assemble and customize with your choice of finishes for a truly personalized storage solution. With two options available - floor to ceiling and floor to wall - you can rest assured that your space is maximized to its fullest potential.

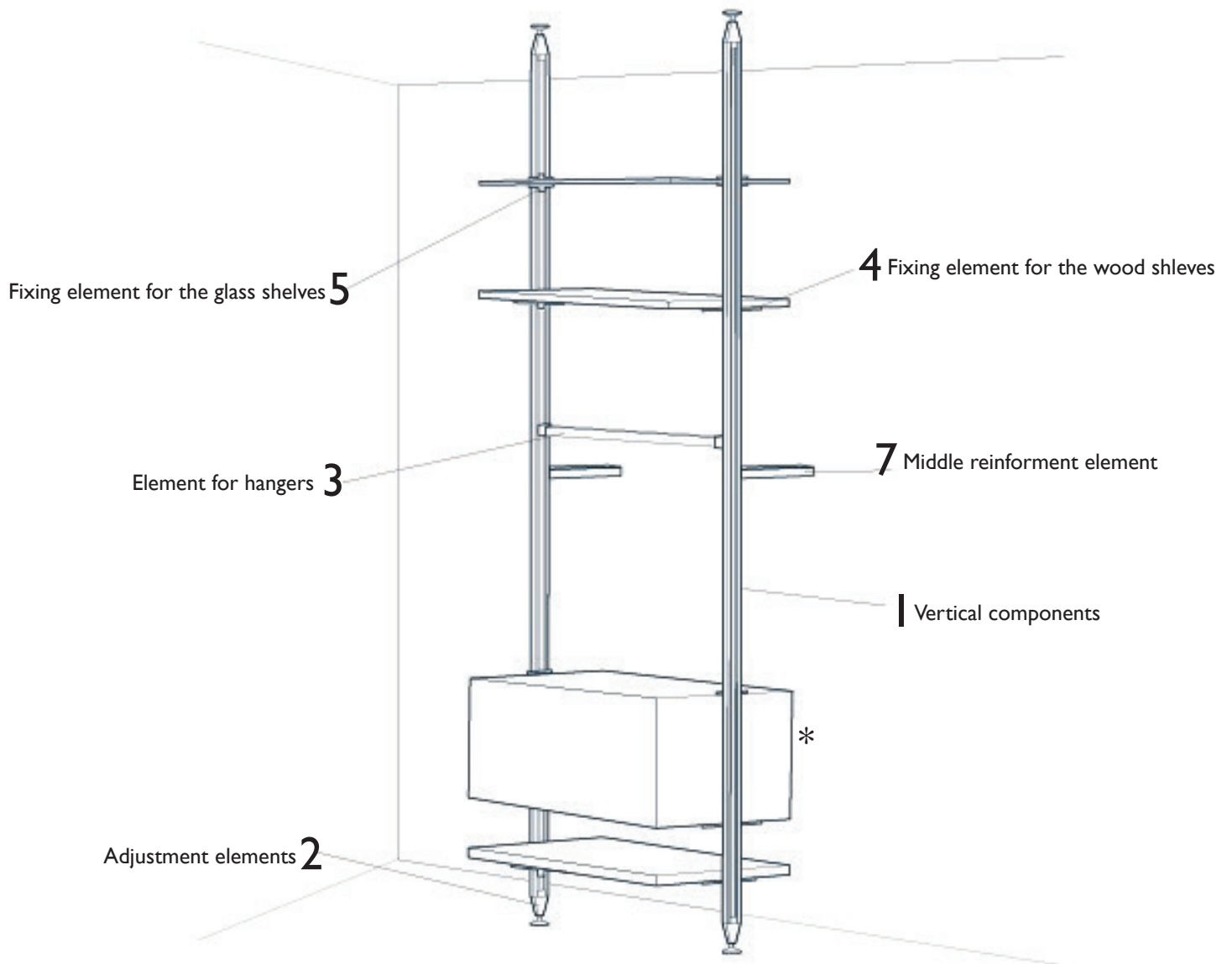
Organize your living space with the StiliPHOS Modular Shelving System – made for your space

Finish Available



anodised brushed black aluminium

## Stili floor to ceiling composition



\*Cabinetry requires wall fixings

# stīlīPHŌS

## Stili floor to ceiling

For Stili floor to ceiling composition you need:

- Vertical components (profile & LED shield)
- Adjustment elements (cap & leg)
- Middle Reinforcement Element
- Fixing Accessories

In a residential context Stili floor to ceiling can be used in the sleeping area (walk-in closet), in the living area as fitted wall/library or used as room partition between 2 different spaces. The middle reinforcement (optional) is used as connection between the wall and the vertical structural profile which gives to the whole structure a greater rigidity and solidity.

In a commercial or directional context 'Stili' floor to ceiling can be used for example for products exposition (shops) or storage shelves (offices).

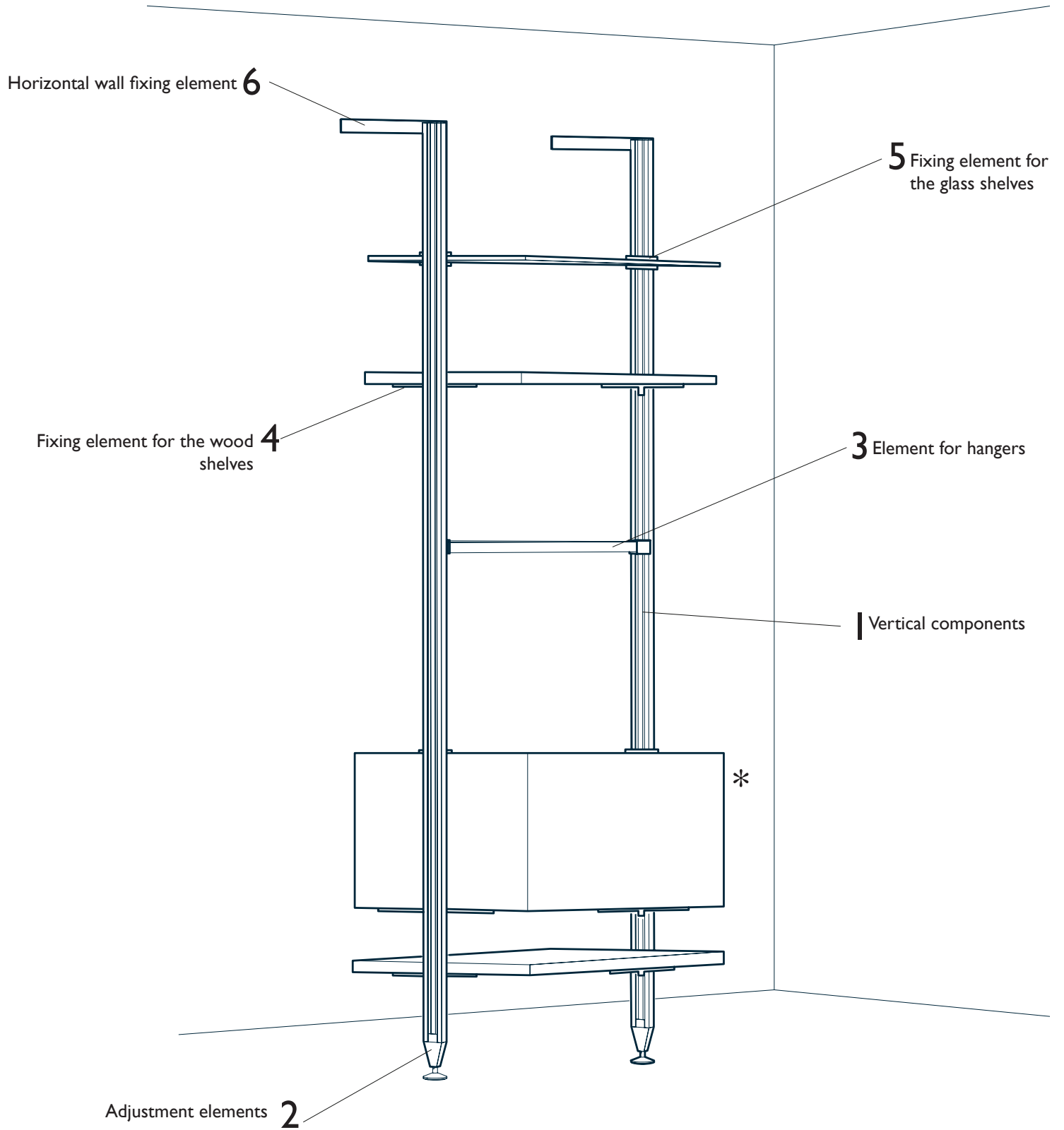








## Stili floor to wall composition



\*Cabinetry requires wall fixings



# stīlīPHŌS

## Stili floor to wall

For Stili floor to wall composition you need:

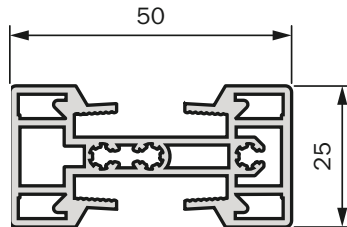
- Vertical components (profile & LED shield)
- Adjustment elements (cap & leg)
- Horizontal coupling element
- Fixing Accessories

In a residential context Stili floor to wall can be used in the sleeping area (walk-in closet) or in the living area as fitted wall/library. The middle reinforcement (optional) is used as connection between the wall and the vertical structural profile which gives to the whole structure a greater rigidity and solidity.

In a commercial or directional context 'Stili' floor to wall can be used for example for products exposition (shops) or storage shelves (offices).

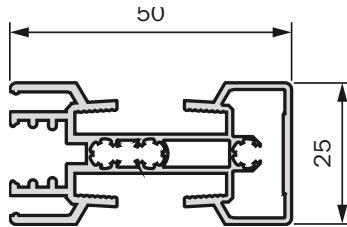
## Components

### Closed vertical structural profile



L	
Code	mm
MNPVI09	5200

### Open vertical structural profile



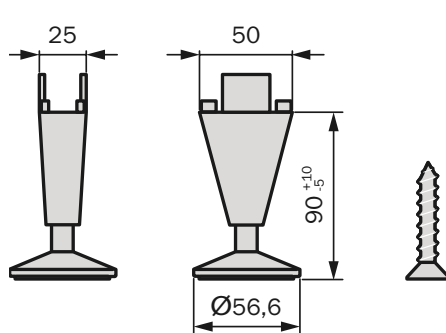
L	
Code	mm
MNPV09	4800

### LED diffuser



L	
Code	mm
MNSLP2800	2800

### Adjustable element kit

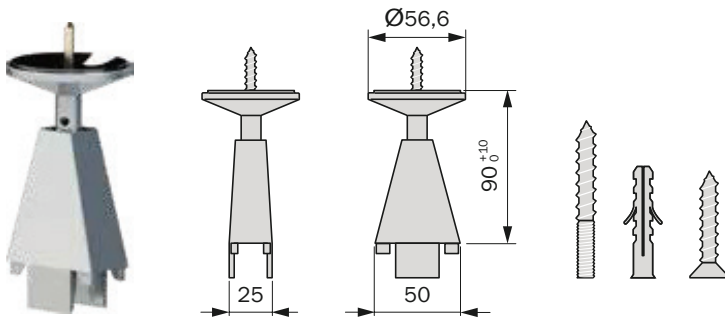


H	
Code	mm
MGKT01A109	90

KIT INCLUDES  
 CONNECTION ELEMENT  
 ADJUSTABLE FEET  
 SCREWS 4,2x25 PZ2

# Components

## Adjustable element kit



H  
↔

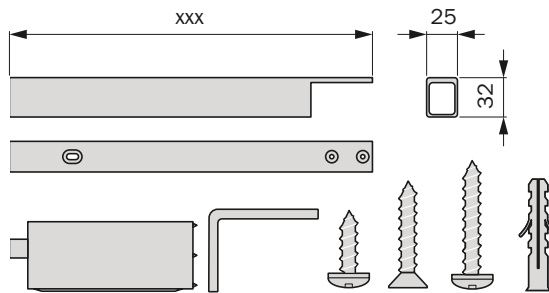
Code	mm
MGKT10A109	90

KIT INCLUDES  
CONNECTION ELEMENT  
ADJUSTABLE FEET  
SCREWS M6 (FOR CEILING FIXATION)

## Upper wall connection element



L  
↔



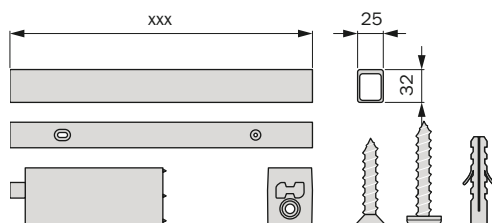
Code	mm
MNKT0501009	150
MNKT0522009	220
MNKT0529509	295
MNKT0532009	345
MNKT0534509	320

KIT INCLUDES  
UPPER CROSSPIECES  
FIXING PLATES  
SELF TAPPING SCREW 4,2X25  
PAN HEAD SCREW 4,5X60  
SHELF BRACKET  
SCREW COUNTERSUNK 4X16  
FICHER UX 6X50

## Wall connection element



L  
↔



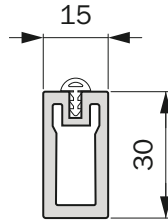
Code	mm
MGKT0617009	170
MGKT0624509	245
MGKT0629509	295

KIT INCLUDES  
INTERMEDIATE CROSSPIECES  
FIXING PLATES  
SCREWS 4,5X60  
PAN HED SCREW 4,5X60  
FISCHER UX 6X50



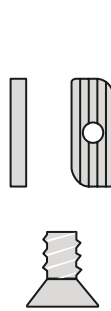
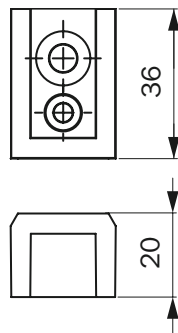
# Components

## Element for hangers with gasket



Code	mm
MGTAXL09	4800

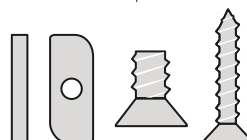
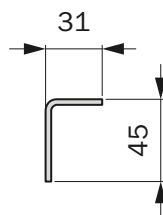
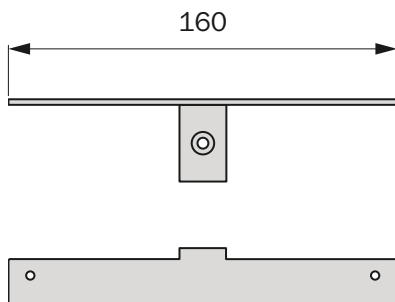
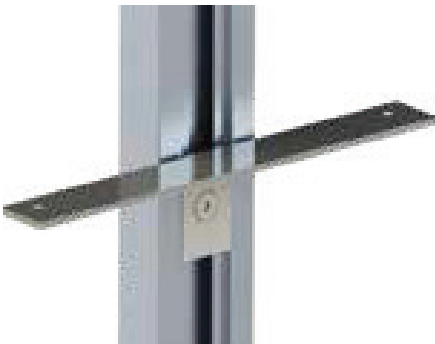
KIT INCLUDES  
HANGERS TUBES  
GASKETS



Code	mm
MNKT05A09	--

KIT INCLUDES  
FIXING PLATES  
SCREWS M6X10  
SUPPORTS

## Fixing element for wood shelves



Code	mm
MNKT0309	160

KIT INCLUDES  
BRACKETS  
FIXING PLATES  
SCREWS M6X8  
SCREWS COUNTERSUNK  
4X16 PZ2

# Components

## Fixing element for glass shelves

50

NASTRO ADESIVO  
ADEHESIVE TAPE

38

25

L

Code	mm
MNKT0409	50

KIT INCLUDES  
BRACKETTS  
FIXING PLATES  
SCREW M6X8  
BIADHESIVE TAPE

## Fixing element for shelves

240

31

80

L

Code	mm
MNKT1609	240

KIT INCLUDES  
BRACKETTS  
FIXING PLATES  
SCREWS M6X8

## Drawer unit kit

26,4

48

58,9

L

Code	mm
MN/KT1809	--

KIT INCLUDES  
BRACKETTS  
FIXING PLATES  
SCREWS M6X8  
SCREWS COUNTERSUNK 4X16 PZ2

\*To be used only when the chest of drawers is attached to the wall with appropriate hardware

## Intermediate fixing element for shelf

25

19,5

13

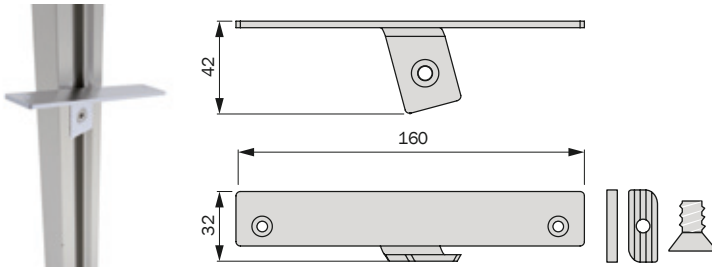
H

Code	mm
MNKT19PL09	25

KIT INCLUDES  
SUPPORT  
SCREW 4,5X60 PZ2  
FISCHER UX 6X50 R

# Components

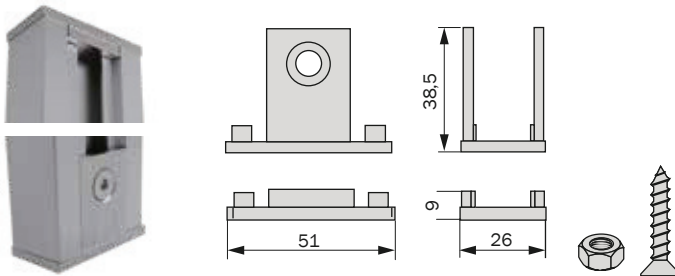
## Shoe rack fixing element



Code	mm
MNKT1109	160

KIT INCLUDES  
BRACKETS  
FIXING PLATES  
SCREWS M6X8  
SCREWS COUNTERSUNK 4X16 PZ2

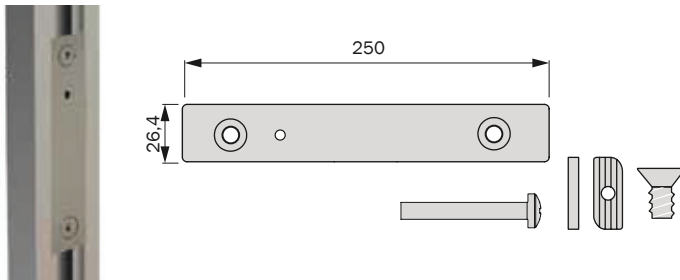
## Worktop kit with cap



Code	mm
MNKT2309	--

KIT INCLUDES  
WORK TOP CAP AL  
UPPER CAP AL  
SCREWS M6X8  
FIXING PLATES  
FLAT COUNTER PLATE  
SCREWS M4X80  
SCREW NUT M4  
SCREWS COUNTERSUNK 4,2X25

## Drawer fixing element

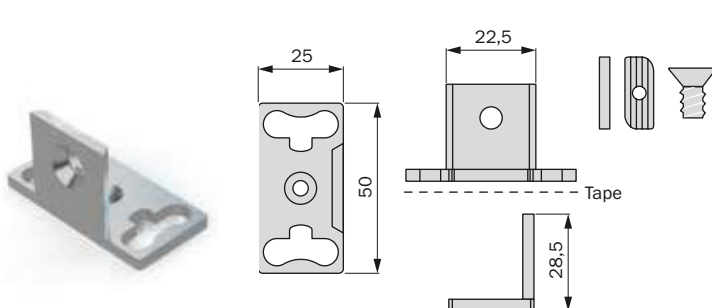


Code	mm
MNKT2009	--

KIT INCLUDES  
BRACKET  
FIXING PLATES  
SCREWS M6X8  
SCREWS M4X35

\*To be used in combination with code MNKT2209

## Worktop connection



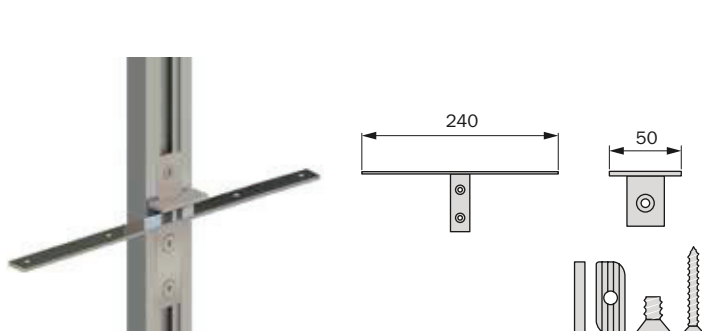
Code	mm
MNKT17PL09	--

KIT INCLUDES  
BRACKET  
FIXING PLATES  
SCREWS M6X8  
BIADHESIVE TAPE  
SCREWS COUNTSUNK 4X16 P2



# Components

## Kit drawer

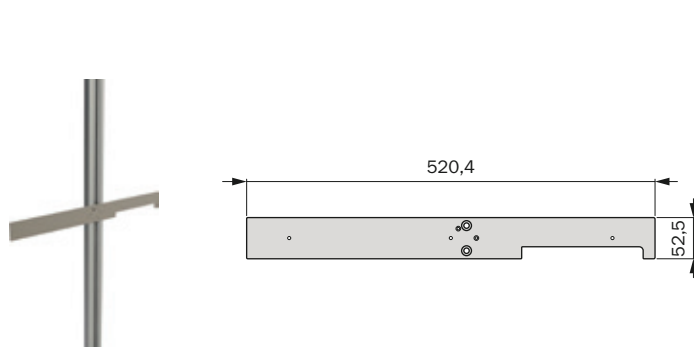


\*For drawer installation without upper bracket, please use MNKT20

Code	mm
MNKT2209	--

KIT INCLUDES  
BRACKETS  
FIXING PLATES  
SCREWS M6X8  
SCREW COUNTERSUNK 4X16 PZ2  
BIADHESIVE TAPE

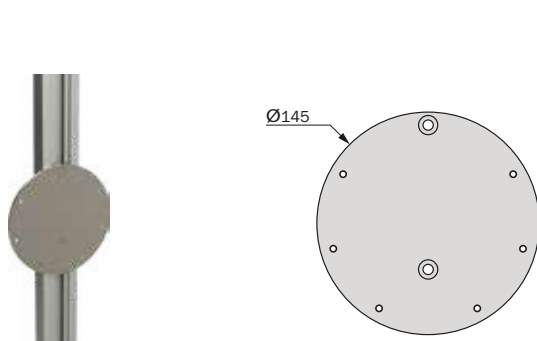
## Frame connection element



Code	mm
MNKT1309	520

KIT INCLUDES  
BRACKETS  
FIXING PLATES  
SCREWS M6X8


## Wardrobe lift connection element



Code	mm
MNKT1409	145

KIT INCLUDES  
BRACKETS  
FIXING PLATES  
SCREWS M6X8

GET IN TOUCH WITH US

 Enko Group Ltd  
14 Winger Crescent,  
Kamo, Whangarei 0112  
New Zealand

 0508 365 674

 [sales@enko.nz](mailto:sales@enko.nz)

 [www.enko.nz](http://www.enko.nz)

FOLLOW US   

