

Lock In More Profit. **LOCKDOWEL™**

REVOLUTIONARY FASTENER SYSTEMS



Assemble a cabinet in less than 3 minutes
with Lockdowel

CABINETS



CLOSETS



FURNITURE

 **ENKO**
GROUP

ASSEMBLE A CABINET IN LESS THAN 3 MINUTES?

YOU CAN WITH **LOCKDOWEL!**



CABINETS



CLOSETS

FURNITURE

With Lockdowel's patented invisible fastener system, assembly becomes fast and easy—no screws, glues, or clamps! Build higher quality products faster, and with less labor to maximize profits. The proof is in more than 1,000,000 cabinets already constructed!

Is Your Checklist Complete?

- Do you have a CNC router?
- Do you have edge boring capabilities?
- Do you use woodworking software?
- Do you want to maximize your investments?

You're ready for Lockdowel!

Lock In More Profit.
LOCKDOWEL™

Patented • Tested • Proven



SIMPLIFY THE PROCESS

Innovation is driving us to bring lean manufacturing practices even further. Lockdowel has designed a versatile fastener system based on the principle of simplifying manufacturing, assembly, and installation. Our patented solution is precision-engineered to increase your production, lower your labor costs, and simplify your operation.

Lockdowel's single fastener concept utilizes a keyhole slot to create the locking mechanism for cabinet assembly, which drastically simplifies the assembly process. Any CNC router and edge boring machine capable of holding 0.1mm tolerance can use our router bit for milling the keyhole slots that accommodate our fasteners.

Your cabinets will have no visible fasteners when assembled and each Channel Lock joint provides over 100 lbs. of pull force. Lockdowel is also the ideal solution for flat-packing efficient RTA and KD jobs, and on-site disassembly is no problem for rework or replacement of damaged parts.

Quick. Effective. Simple.

LOCKDOWEL

TABLE OF CONTENTS

- 05** EClips Fasteners
- 31** Metal Snap Fasteners
- 37** Plastic Cinch Fasteners
- 53** Spring Pins & Router Bits
- 56** Product Summary Guide

EVALUATE LOCKDOWEL INNOVATION!

Try our Evaluation Kit and discover what you can do.



Lockdowel's Evaluation Kits offer you the opportunity to test our products in your own shop. We provide a complete cabinet assembly including panels, our patented Channel Lock fasteners, and assembly instructions. Two kits are available to order: the Channel Lock Kit and the H-Clip Kit.

The Channel Lock fastening system was designed with disassembly in mind, while the H-Clip fastening system is permanent, mirroring a glue-and-dowel construction method but with no glue necessary. You can decide which system works best for your business model. Both will save you an incredible amount of time, money, and headache. At Lockdowel, we are excited to continue launching new innovative technology to simplify manufacturing, assembly, and installation.

BENEFITS OF LOCKDOWEL FASTENERS

- 1 Single Piece Design:** We eliminated multiple confusing pieces down to a single piece design. This greatly reduces the fastener cost and simplifies the insertion process.
- 2 No Glue:** No glue is needed when constructing a cabinet and there are no visible fasteners with our keyhole mechanism. Without glue, cabinets can be disassembled for flat shipping, rework, or replacement.
- 3 Quality:** Cabinets built with Lockdowel fasteners pass all ANSI/ BIFMA, AWI, and Woodwork Institute standards.
- 4 Faster Assembly:** Our process is simple and reduces assembly time. With practice, a base cabinet can be assembled in 2.5 minutes, and a drawer box in 30 seconds. Every product we have converted to Lockdowel shows a significant time savings during the assembly process by as much as 60%.

Lockdowel offers a revolutionary way to improve your profit margins and eliminate assembly headaches.

Lock In More Profit.
LOCKDOWEL

EVALUATION KITS

Channel Lock Kit

Kit includes:

- RTA upper cabinet (12"x15"x12")
- Set up documents
- LD T-Slot router bit (E1000-B)
- 50 Barbed Channel Lock (E900BP) and 50 Spring Pins (8002-40-R5) to build up to 6 units
- 1 Drawing of your product to be converted to Lockdowel hardware

www.lockdowel.com/cabinets/

H-Clip Kit

Kit includes:

- RTA upper cabinet (12"x15"x12")
- Set up documents
- LD T-Slot router bit (E1000-B)
- 50 Barbed Channel Lock (E910BP) and 50 Spring Pins (8002-40-R5) to build up to 6 units
- 1 Drawing of your product to be converted to Lockdowel hardware

www.lockdowel.com/cabinets/hclip/

Order an evaluation kit today!
Learn more about our evaluation kits at www.lockdowel.com/evkit/

ECLIPS FASTENERS



ONE TOOL DOES IT ALL





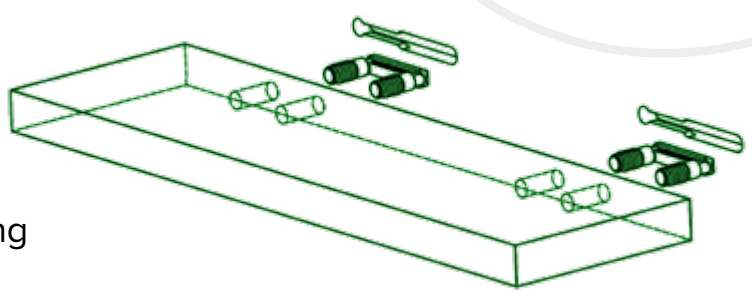
LD-E900-BP

Plastic Barbed Channel Lock

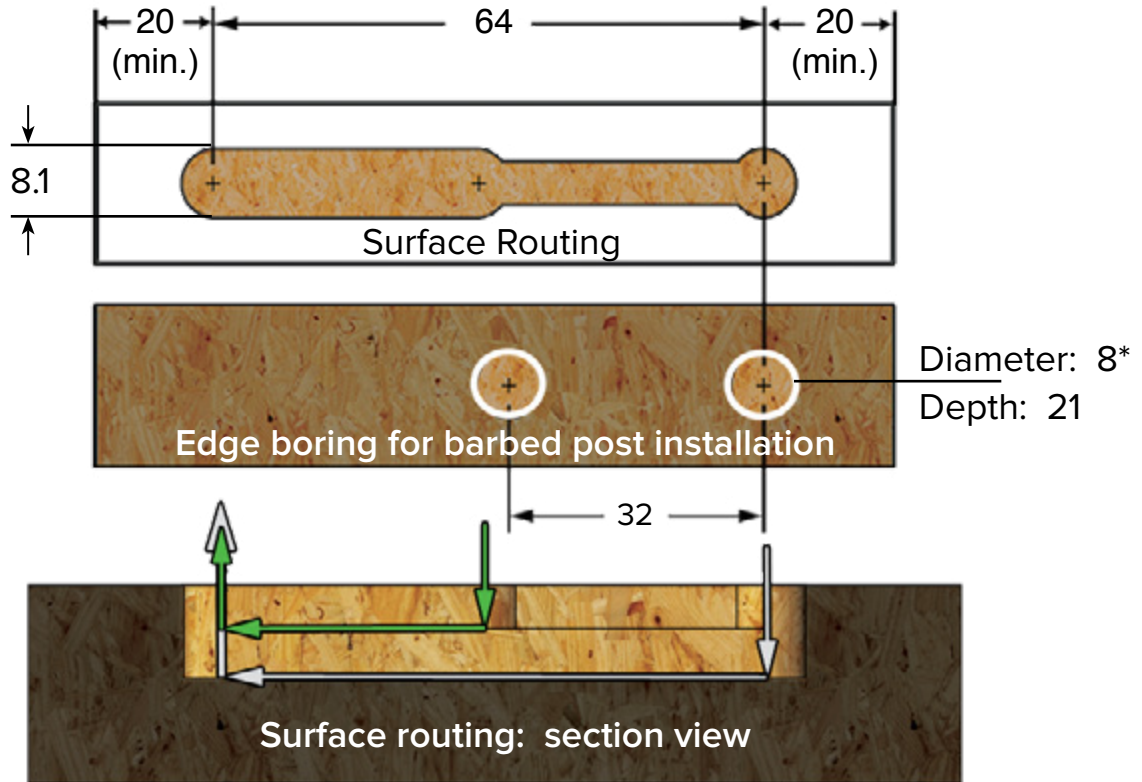
Provides a removable sturdy joint in materials such as particle board, plywood, MDF, and select plastic materials. *(See minimum thickness chart pg. 56-57)*

SPECIFICATION

- Pull Force: 120-160 lbs.
- Shear Force: Over 100 lbs.
- Drilling: 8mm with 32mm spacing
- Material: Nylon 6-6
- Requires CNC routing capability and edge boring machine

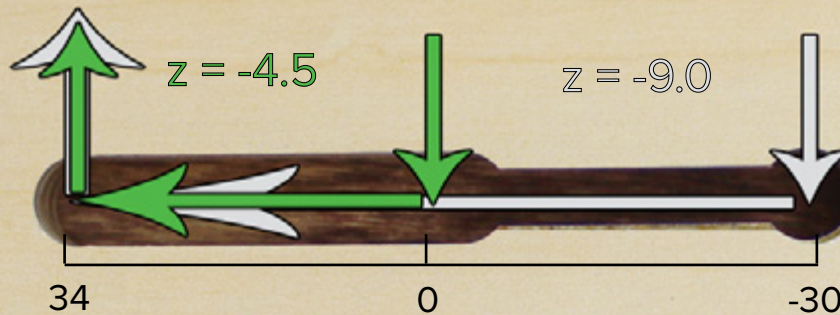


PATENT PENDING



- Plunge Cut: Z: -4.5 | Slot Cut: X: 0 to 34
- Plunge Cut: Z: -9.0 | Key Slot: X: -30 to 34
(Allowable depth range is -9.0 to -9.3)

Route **GREEN** first. Then **GRAY**.



All measurements are in mm

*Dense materials may require an 8.2mm drill bit.





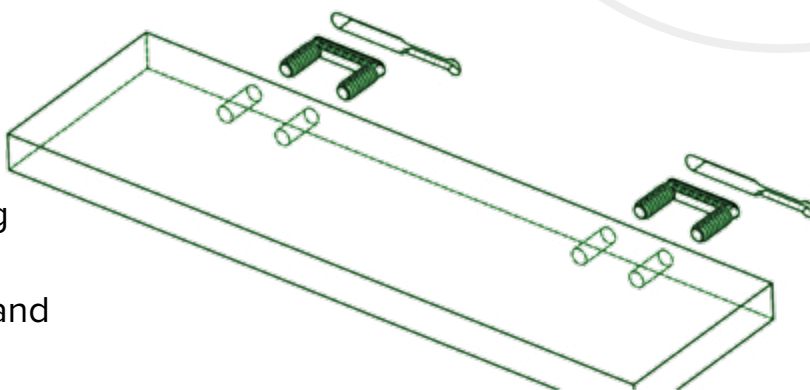
LD-E3259BM

Mini 32mm Barbed Channel Lock

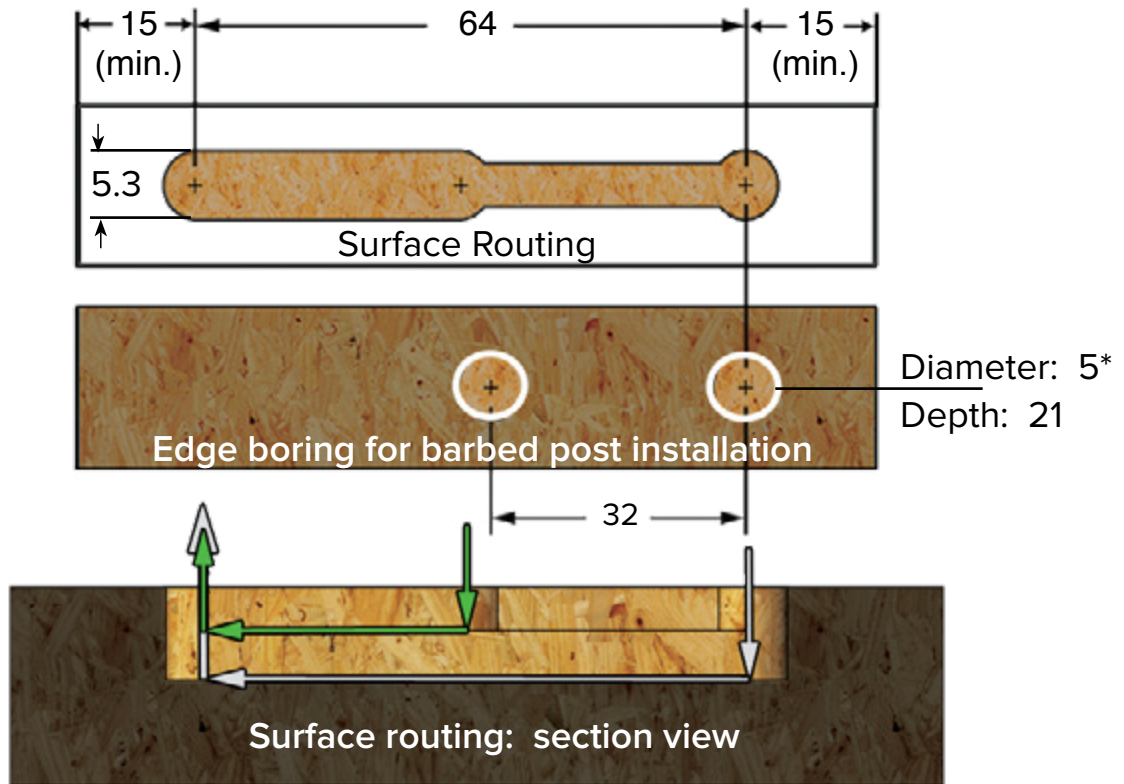
Provides a removable sturdy joint in materials. It is best used in plywood, solid wood, and select plastic materials. (See *minimum thickness chart pg. 56-57*)

SPECIFICATION

- Pull Force: 70 lbs.+
- Shear Force: Over 250 lbs.
- Drilling: 5mm with 32mm spacing
- Material: Zinc aluminium alloy
- Requires CNC routing capability and edge boring machine

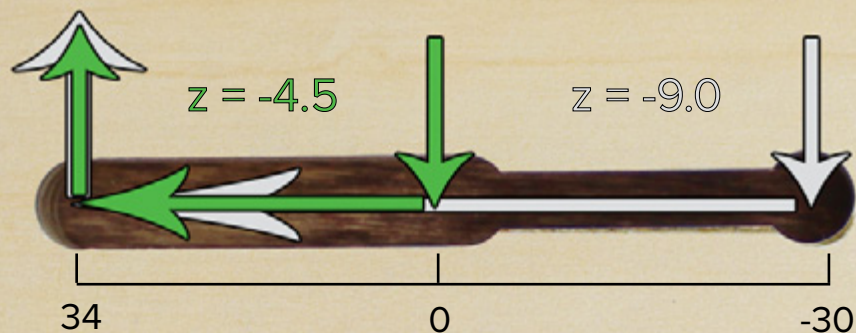


PATENT PENDING



- Plunge Cut: Z: -4.5 | Slot Cut: X: 0 to 34
- Plunge Cut: Z; -9.0 | Key Slot: X: -30 to 34
(Allowable depth range is -9.0 to -9.3)

Route **GREEN** first. Then **GRAY**.



All measurements are in mm

*If using MDF, replace 5mm drill bit with 5.2mm drill bit.



LOCKDOWEL QUALITY STANDARDS GO ABOVE AND BEYOND



CABINETS • CLOSETS • FURNITURE • OFFICE SYSTEMS

That's why the industry is changing to Lockdowel

Lockdowel's fastening system guarantees that fasteners are positioned correctly every time with the precision holes and routes pre-drilled via CNC equipment. Products built with Lockdowel hardware have been tested by an independent laboratory to ensure they meet all ANSI/BIFMA test standards. There is significantly less labor content, so the potential for manmade assembly error and returns is minimized.

Lockdowel provides remarkable labor savings and easy assembly process in addition to virtually eliminating employee training time and reducing shipping costs with flat-packing. Is it any wonder that companies everywhere are making the change to Lockdowel?



"Lockdowel changed everything. We went from completing around 25 cabinets a day with full overhead of staff to operating with less than 6 employees in the shop and completing 135 cabinets a day."

- Chad Shelton, CEO of Bella IMC on everything changed when they switched traditional manufacturing to incorporating Lockdowel.



"The turning point was our fastener decision as we wanted hidden fasteners for aesthetic reasons. More than just being a hidden fastener, we needed to be able to automate the process of machining and inserting the fastener."

- Ron Devillez, Director of Process Engineering for Kimball International comments on Kimball's decision to switch to Lockdowel fasteners.



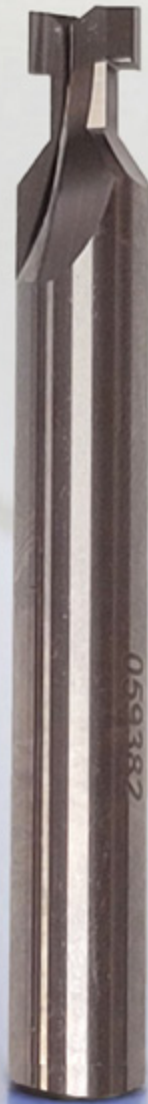
Patented • Tested • Proven



Spring Pins & Router Bits



LOCKDOWEL



Spring Pins

Specifications



SKU: LD-8002-40-R5

Spring Pin adds sheer strength and rigidity to eliminate the necessity for gluing and clamping.

- Diameter: 8mm
- Length: 40mm
- Wood thickness: 5/8"+

Use together with Lockdowel products:

- EClips barbed channel lock (E900BP & E900BM)
- EClips barbed H-Clip (E910BP)
- All Snap Fasteners
- All Cinch Fasteners



SKU: LD-8005-36

Spring Pin adds sheer strength and rigidity to eliminate the necessity for gluing and clamping.

- Diameter: 5mm
- Length: 36mm
- Wood thickness: 1/2"+

Use together with Lockdowel products:

- EClips mini barbed channel lock (E900BP-Mini & E900BM-Mini)
- All Snap Fasteners
- All Cinch Fasteners





Router Bits

For E-Clips | SPECIFICATIONS



SKU: LD-E1000-B (3/8" Shank)

Use to rout Lockdowel EClips and drawer slide

- 2 Flute
- 100% carbide | 100% tungsten carbide
- Cutting Length: 11mm
- Overall Length: 76.2mm | 70.0mm
- Shank OD: 9.525 (3/8") | 12.7mm (1/2")

Recommended Material:

- Particle Board
- Low Density Plywood
- Low to Medium Density MDF
- High Density Plywood
- Solid Wood
- HDPE • Plastic

Speed: 18,000 RPM

Feed Rate: 15,000 mm/min (590 inches/min) | 20,000 mm/min

Plunge Rate: 4,000 mm/min (158 inches/min)



SKU: LD-E1000-H (1/4" Shank) - OEM

Use to rout Lockdowel P/N E3259BM

- 2 Flute • 100% carbide
- Cutting Length: 11mm
- Overall Length: 76.2mm
- Shank Diameter: 6.35 (1/4")

Recommended Material:

- Particle Board • MDF • PVC
- High Density Plywood
- Solid Wood
- HDPE Plastic

Speed: 18,000 RPM

Feed Rate: 12,000 mm/min (472 inches/min)

Plunge Rate: 4,000 mm/min (158 inches/min)



Lock In More Profit.
LOCKDOWEL™



┌ SMART SYSTEMS FOR DESIGN INTERIORS

Contact our ENKO sales team sales@enko.nz or Phone/Email for more info: 0508 365 674 and discuss your projects with our product specialists.