



SIGE EDGE WARDROBE SYSTEMS



THE DESIGNER

Andrea Federici

Born in 1981, master's degree in Industrial Design at the Milan Polytechnic.

He is the owner of Andrew Federici Consulting, a strategic consulting firm that develops product design, exhibit and showroom design, graphic design and photography projects, collaborating with some of the most prestigious Italian furniture brands. The studio's strong international vocation has let it to serve as the creative director for renowned furniture companies in USA, Arab Emirates, Saudi Arabia and China.

Federici has received numerous awards and recognitions, including the Red Dot Design Award, Good Design Award, German Design Award, Archiproducts Design Award and many others.



EDGE WARDROBE SYSTEM

Sartorial, practical and contemporary, the Edge collection makes modularity its distinctive component. The minimal and telescopic elements adapt to all spaces and tastes of those who seek functionality, usability but do not want to give up on its style.

Designed to contain, organise drawers, trouser racks, skirt racks, shoe racks and laundry racks are all removable, extractable and cushioned - they marry technology and elegance.

The rubber profiles of the frames and the rods and the special trays material, dampen noise and protect both garments and accessories.





FRAME



SIGE EDGE ADJUSTABLE WARDROBE FRAME

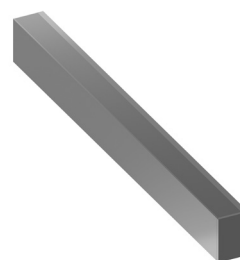
FEATURES

- Wide adjustment to fit different dimensions of furniture
- Suitable for open furniture
- Optional spacer for use with sliding or hinged doors
- Article made from powder-coated metal
- Sige full extension cushioned slides

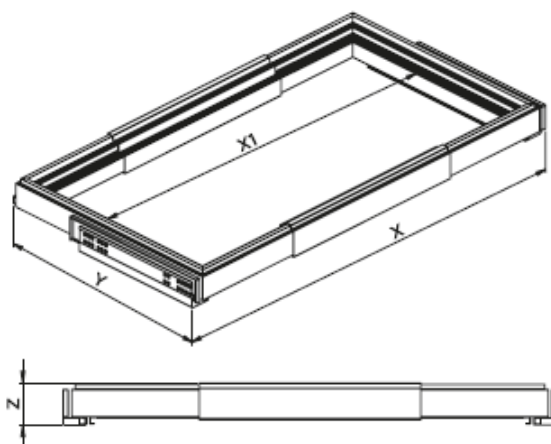
Item Code	Cabinet Depth	System Width	System Depth	System Height
SGE100L1P400	400mm	500-775mm	385mm	62mm
SGE100L2P400	400mm	800-1075mm	385mm	62mm
SGE100L1P480	480mm	500-775mm	465mm	62mm
SGE100L2P480	480mm	800-1075mm	465mm	62mm



Telescopic Tubular Frame



Optional Spacer





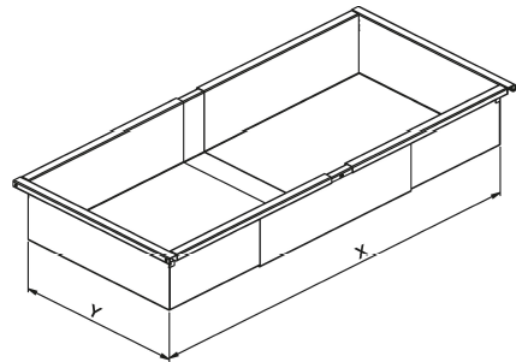
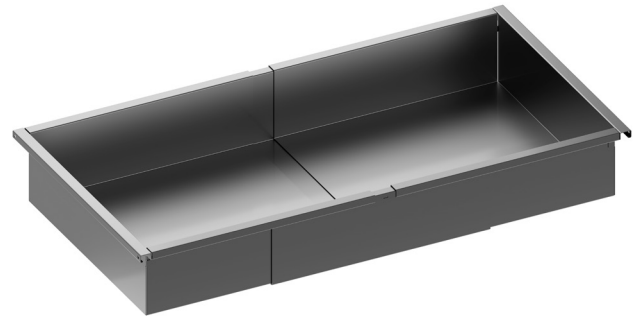
TRAYS

SIGE EDGE ADJUSTABLE LOW TRAYS

FEATURES

- Article made of powder-coated metal
- Adjustable to fit the EDGE frame
- The rubber profiles of the frames dampen noise and protect both garments and accessories

Item Code	Cabinet Depth	System Width	System Depth	System Height
SGE220BLIP400	400mm	407-682mm	307mm	125mm
SGE220BL2P400	400mm	707-982mm	307mm	125mm
SGE220BLIP480	480mm	407-682mm	387mm	125mm
SGE220BL2P480	480mm	707-982mm	387mm	125mm

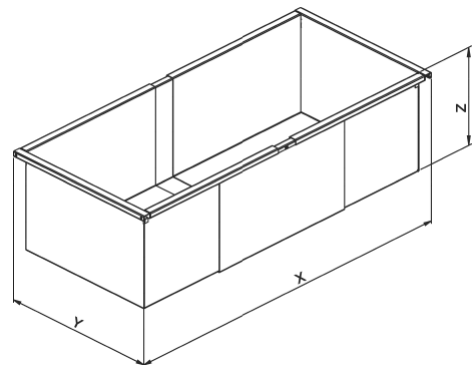
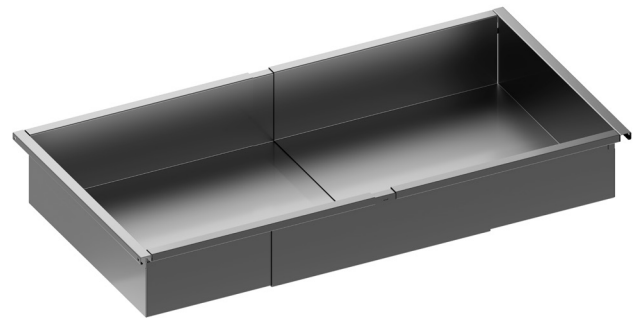


SIGE EDGE ADJUSTABLE HIGH TRAYS

FEATURES

- Article made of powder-coated metal
- Adjustable to fit the EDGE frame
- The rubber profiles of the frames dampen noise and protect both garments and accessories

Item Code	Cabinet Depth	System Width	System Depth	System Height
SGE220ALIP400	400mm	407-682mm	307mm	245mm
SGE220AL2P400	400mm	707-982mm	307mm	245mm
SGE220ALIP480	480mm	407-682mm	387mm	245mm
SGE220AL2P480	480mm	707-982mm	387mm	245mm



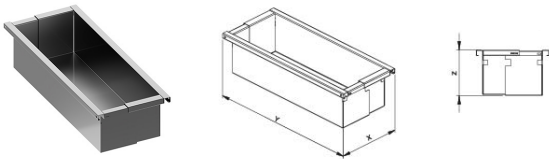
SIGE EDGE ADJUSTABLE STORAGE TRAY

FEATURES

- Article made of powder-coated STEEL
- Useful in several adjustments

ADJUSTABLE STORAGE TRAY

Item Code	Width	Depth	Height	Cabinet Depth
SGE225LIP400	115-175mm	307mm	115mm	400mm
SGE225LIP480	115-175mm	387mm	115mm	480mm



SIGE EDGE MODULAR ELEMENTS

FEATURES

- Tray made of powder-coated steel
- Soft and flexible inner lining

4 SPACES TRAY

Item Code	Width	Depth	Height	Cabinet Depth
SGE504P400	165mm	332mm	42mm	400mm
SGE504P480	165mm	412mm	42mm	480mm

EARINGS TRAY

Item Code	Width	Depth	Height	Cabinet Depth
SGE512EH400	165mm	332mm	42mm	400mm
SGE512EH480	165mm	412mm	42mm	480mm

WATCHES TRAY

Item Code	Width	Depth	Height	Cabinet Depth
SGE510WH400	165mm	332mm	42mm	400mm
SGE510WH480	165mm	412mm	42mm	480mm



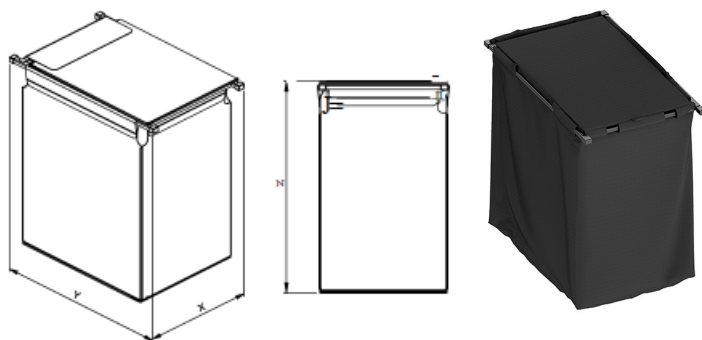
MODULAR ELEMENTS

SIGE EDGE LAUNDRY RACK

FEATURES

- Tray made of powder-coated metal
- Machine-washable cotton fabric
- Rigid, removable bottom and cover

Item Code	Cabinet Depth	System Width	System Depth	System Height
SGE250LR400	400mm	250mm	307mm	405mm
SGE250LR480	480mm	307mm	387mm	405mm

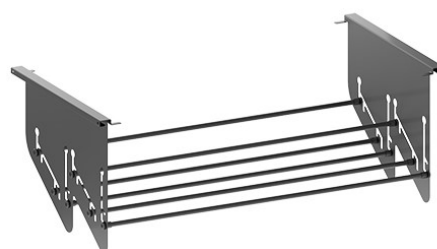
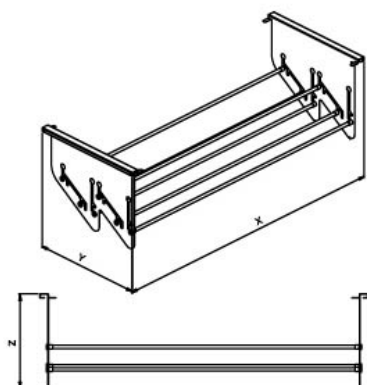


SIGE EDGE ADJUSTABLE SHOE RACK

FEATURES

- Tray made of powder-coated metal
- Adjustable for any type of shoe
- Tube cut-to-size

Item Code	Cabinet Depth	System Width	System Depth	System Height
SGE240ASR400	400mm	407-1282mm	307mm	290mm
SGE240ASR480	480mm	407-1282mm	387mm	290mm



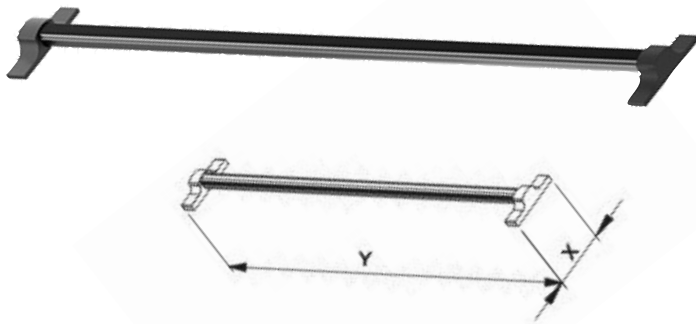
MODULAR ELEMENTS

SIGE EDGE TROUSER RACK KIT

FEATURES

- Article made of powder-coated steel
- Completed with non-slip rubber insert

Item Code	Cabinet Depth	System Width	System Depth	System Height
SGE250LR400	400mm	250mm	307mm	405mm
SGE250LR480	480mm	307mm	387mm	405mm

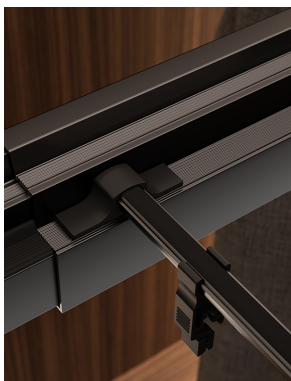


SIGE EDGE ADJUSTABLE SKIRT HOLDERS FOR TROUSER RACK

FEATURES

- Plastic hook
- To be fixed to the trouser holder profile

Item Code
SGE265SH





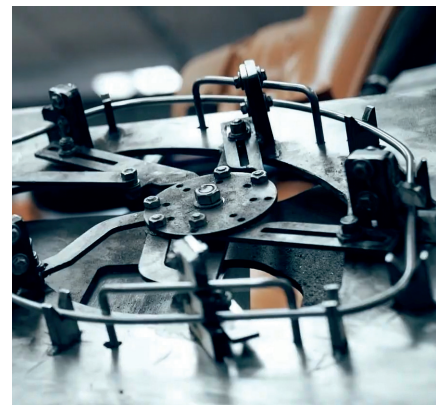
SIGE SPA was established in 1969 and is one of Italy's leading manufacturers of kitchen wireware.

They are based at Polverigi in the green of the Marche countryside in Northern Italy, a short drive away from the beautiful city of Ancona on Italy's Adriatic coast.


SIGE SPA produces high-quality products born to reinvent functional and original spaces. Thanks to continuous research in design and new technologies and rigorous testing during production, SIGE can guarantee unique precision, innovation, efficiency and durability.


SIGE's designers have focused on ergonomic design, functionality and aesthetics in developing a wide range of pull-outs and wireware for today's kitchen.

Attention to the environment and energy saving with minimised waste from production, ISO 9001, ISO 14001, BS OHSAS18001, and FSC certifications confirm these commitments and testify to the socially responsible approach that the company adopts towards its employees and its territory. Choosing SIGE means pairing experience with innovation, passion for quality and the desire to create something unique.



GET IN TOUCH WITH US

 14 WINGER CRESCENT
KAMO
WHANGARE 0112

 0508 365 674

 SALES@ENKO.NZ

 WWW.ENKO.NZ

FOLLOW US   

 **ENKO**
GROUP
SMART SYSTEMS FOR DESIGN INTERIORS