

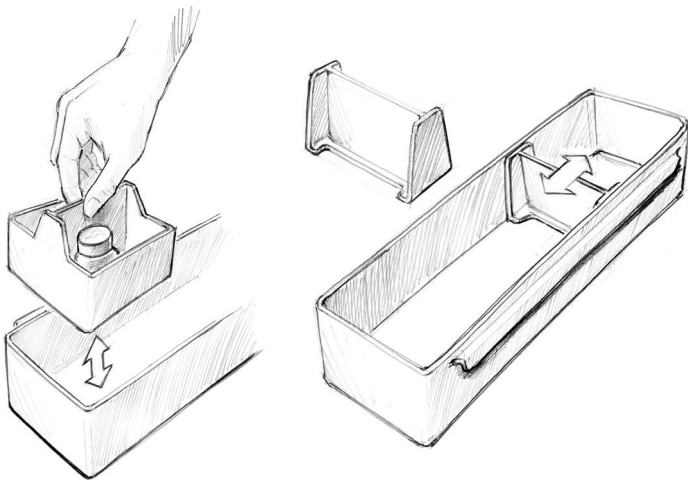
Gollinucci Sous-Chef



**GERMAN
DESIGN
AWARD
2021**



BRING THE FLAVOUR

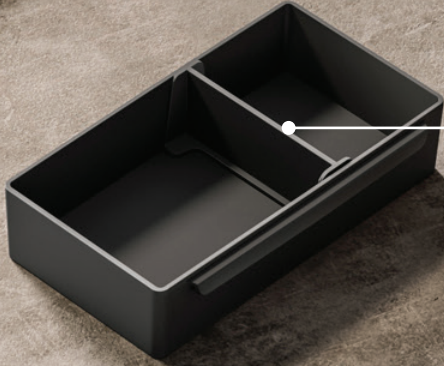


The Sous-Chef collection is the latest innovation from Gollinucci in Italy.

Designed by Andrea Federici, it has won multiple global awards, including the prestigious GERMAN DESIGN AWARD 2021 where the range received a special mention in the Excellent Kitchen Product Design category. In addition, the range has won both the IF DESIGN AWARD and the INTERZUM AWARD 2019.

The Sous-Chef's core design concept is "Bring the Flavour"! Equipped with removable plastic trays (Dishwasher Safe) that can be positioned on the kitchen top or onto the Sous-Chef kitchen rail system, Sous-Chef allows you to have all the ingredients and spices readily at hand for daily use. Having these close to hand creates greater efficiency and organisation throughout the cooking process. At the end of use, the trays are repositioned in the cabinet by hooking them to the central structure.

Designed to intelligently respond to the need to organise even small spaces in the best possible way - thanks to the various models in the range, the Sous-chef can fit cabinets with widths from 150 to 600mm. Sous-Chef is also available with a practical walnut finish knife holder as an option and has models suitable for both hinged doors and most common drawer brands.



Removable Frame Baskets



Removable Inner Baskets

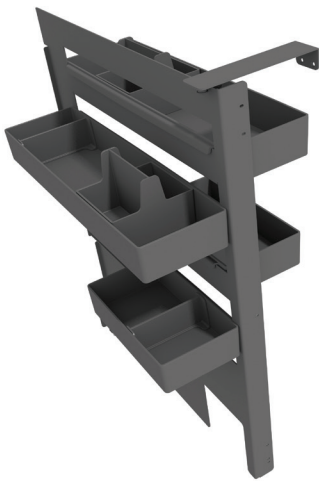


Sous-Chef Smart
- Full manual extraction
- Side cabinet installation

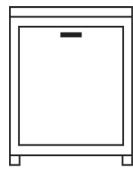
Sous-Chef One
- Installation inside drawer

Sous-Chef One

- Fixing to the bottom of the drawer
- Suits any 500mm deep drawer
- Keeps all drawer mechanisms in kitchen the same
- Metal structure - Orion Grey Finish
- Removable plastic trays - Dishwasher Safe
- Top roller guide



Width: 255mm
Depth: 516mm
Height: 641mm



(Min 300mm)

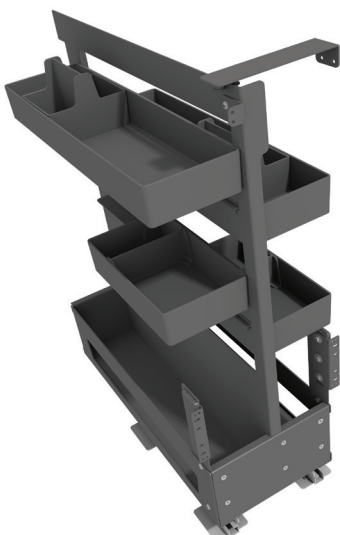


Item Code: GSC-ONEOG

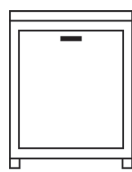
Our recommendation for this model to be partnered with the Enko 180mm high, 500mm deep Slimbox Drawer - Item Code DSLIM500ANTH180

Sous-Chef Tray Plus

- Fixing to the bottom of the cabinet
- Fixing to the door
- Full extension guides
- Soft closing
- Metal structure - Orion Grey Finish
- Removable plastic trays - Dishwasher Safe
- Top roller guide



Width: 255mm
Depth: 520mm
Height: 654mm



(Min 300mm)



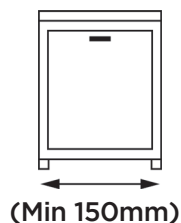
Item Code: GSC-TRAYPOG

Sous-Chef Slim

- Fixing to the side of the cabinet
- Fixing to the door
- Full extension guides
- Soft closing
- Metal structure - Orion Grey Finish
- Removable plastic trays - Dishwasher Safe
- Load capacity of 15kg



Width: 108mm
Depth: 506mm
Height: 680mm



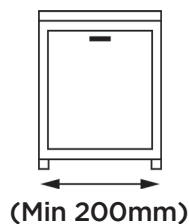
Item Code: GSC-SLIMOG

Sous-Chef Smart

- Fixing to the side of the cabinet
- Full extension guides
- Soft closing
- Metal structure - Orion Grey Finish
- Removable plastic trays - Dishwasher Safe
- Manual extraction
- Load capacity of 15kg



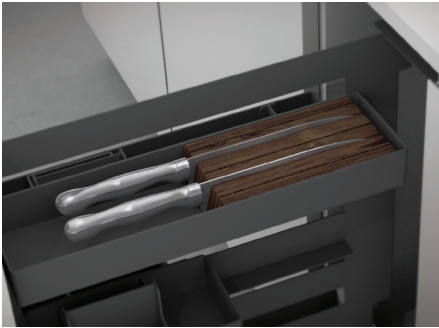
Width: 138mm
Depth: 506mm
Height: 334mm



Item Code: GSC-SMARTOG

Sous-Chef Knife Block (optional)

- Machined Wood
- Walnut finish
- Compatible with:
 - Sous-Chef One
 - Sous-Chef Tray Plus
 - Sous-Chef Smart

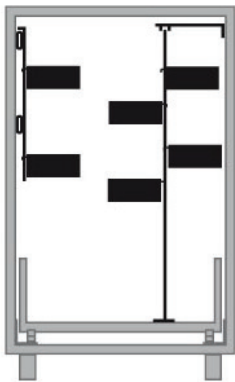


Item Code: GSC-WKNIFEB

Sous-Chef Set-up Suggestions

Base - 600 x 500 x 450 mm

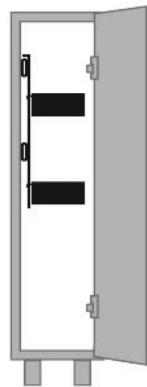
Cabinet with drawer



Sous-Chef Smart + Sous-Chef One

Base - 200mm

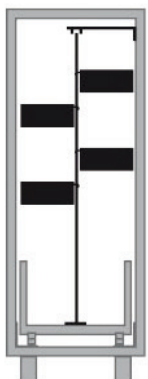
Standard Cabinet



Sous-Chef Smart

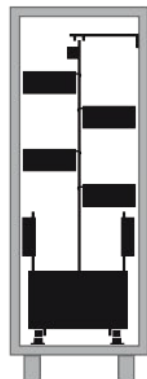
Base - 400 x 350 x 300 mm

Cabinet with drawer



Sous-Chef One

Door Mounting



Sous-Chef Plus

Base - 150mm

Door Mounting



Sous-Chef Slim

Sous-Chef Kitchen Rail System



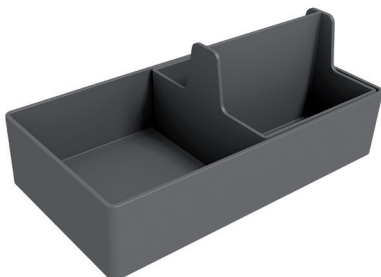
Rail System Base 60



- 1 x Painted Aluminium Bar
- 2 x Painted Aluminium Hooks
- 2 x Hidden Metal Supports for fixation
- Total Width 600mm
- Black Finish

Item Code: GSCR-60BK

Box & Spice Tray



- Optional Removeable Frame Basket + Inner Basket
- Orion Grey Finish

Item Code: GSCR-BSTOG

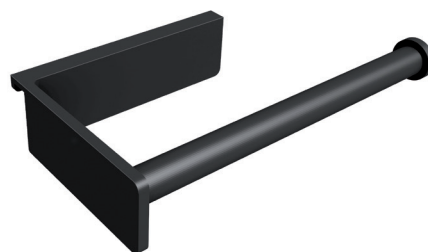
Rail System Base 90



- 1 x Painted Aluminium Bar
- 3 x Painted Aluminium Hooks
- 2 x Hidden Metal Supports for fixation
- Total Width 900mm
- Black Finish

Item Code: GSCR-90BK

Paper Towel Holder



- Optional Paper Towel Holder
- Black Finish

Item Code: GSCR-PHBK

All the products in this brochure are displayed on Enko's website www.enko.nz, together with installation drawings and other technical information.

If you have any queries regarding any of these products, please email sales@enko.nz or call 0508 364 674.



PHONE: 0508 365 674

EMAIL: sales@enko.nz

WEB: www.enko.nz

ADDRESS: 14 Winger Crescent, Kamo, Whangarei

POSTAL: PO Box 4182, Kamo, Whangarei